

- Your Colour Scheme
(back colour + Text colour)
- Your Logo
- Your Brochure

Aluminium

Continental Folding Doors

70mm Direct Fix Polyamide Frame - Internally Glazed



Your Company

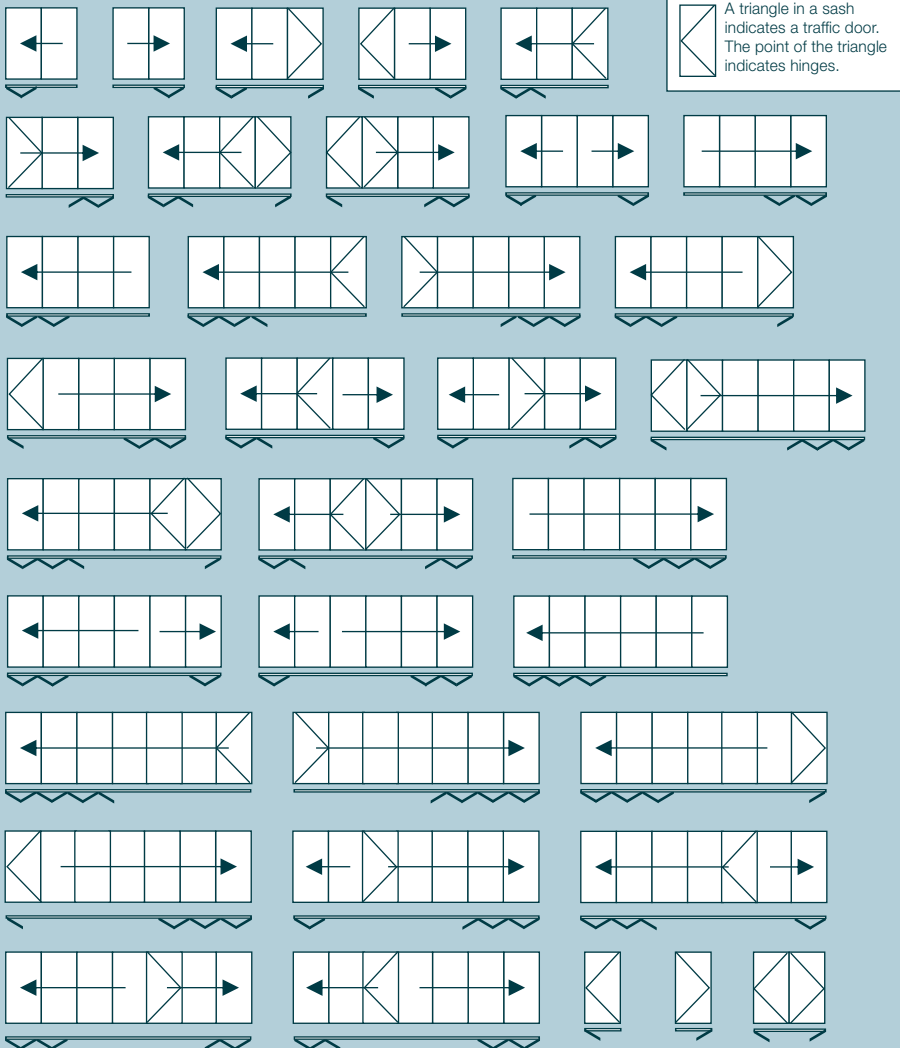
1 Your Address Road
Your Area,
Your County,
PO51 c0DE

t: 0835 686 237
f: 03296 862370
e: email@company.co.uk
w: www.yourcompanywebsite.co.uk

**Your
Logo
Here**

- White, Black, Light Grey, Dark Grey or Brown as standard - metallic textured, woodgrain or any RAL finish - Single & dual colours available.
- Choice of colours for Hardware, or RAL colour upon request.
- 2 to 7 Panel options. For 8+ panels please ask.
- Standard, low, low ramped and room divider threshold options.
- Opens in or out, with most styles offering traffic door access.
- High security, Avocet locking cylinder, 3pt lock to traffic doors, high security shoot bolts to folding panels.
- All doors include woolpile, four heavy duty stainless steel bogey wheels for increased stability and stainless steel track.
- High weather performance and exceeds the building regs.
- Site line: Head - 110; Jambs - 110; Interlock - 140.
- Self Cleaning glass, Solar Control glass & Integrated blinds available.
- Lever-lever handle on the traffic door & 'Funky' T-handles on intermediate panels, all in a variety of finishes.
- U values of just 1.7 W/M²K, air & water tightness of 600 Pa, can withstand wind loadings of up to 2400 Pa.
- Trickle vents available in head extension, in a range of colours.
- Angled / chamfered or square glazing bead - 28mm internally glazed units for added security.

Common Configurations



Traffic Doors

A triangle in a sash indicates a traffic door. The point of the triangle indicates hinges.

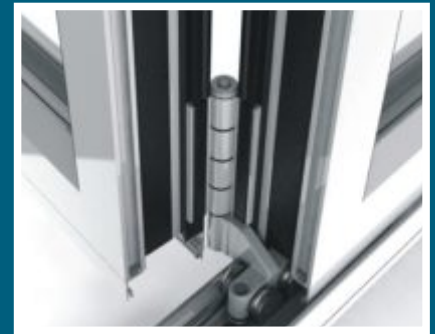
No of Door Panels	2	3	4	5	6	7	8+	No of Door Panels	All
Minimum Width	1400	2100	2800	3500	4200	4900	Please	Minimum Height	1600
Maximum Width	2000	3000	4000	5000	6000	7000	Ask	Maximum Height	3000

Further information and on-line estimator available at:

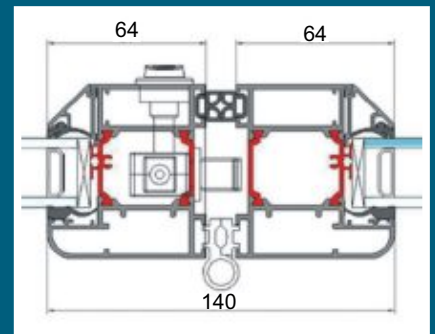
www.yourcompanywebsite.co.uk



Lockable Pop-out T-Handles



Stainless Steel Wheels & Track



Slim Interlocks, No Floating Mullion.



Integrated Blinds



Ramped Low Threshold