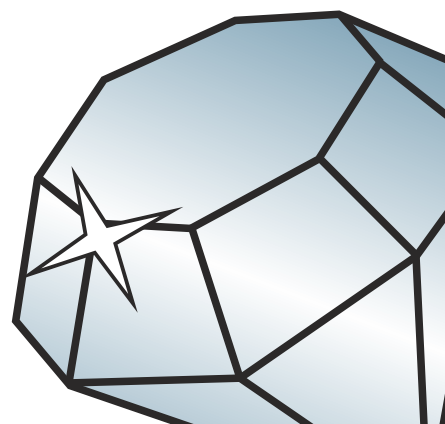


# Continental

## Floating Corner Post Section Identification



DURATION  
WINDOWS



# Contents



## **Profiles**

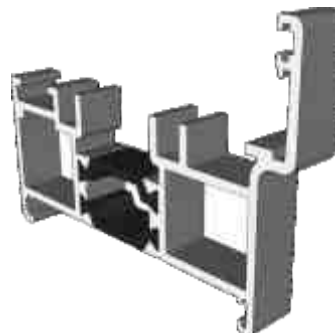
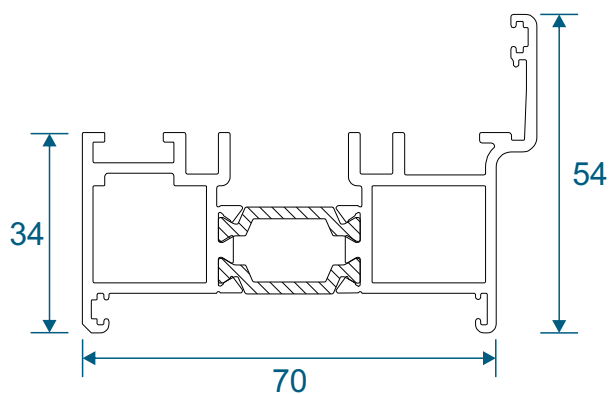
|                                       |   |
|---------------------------------------|---|
| Outer Frame & Thresholds              | 3 |
| Sashes                                | 3 |
| Extensions & Corner Post              | 4 |
| Floating Mullion, Transoms & Midrails | 5 |
| Beads & Adapters                      | 6 |
| Cills                                 | 7 |

## **Sections**

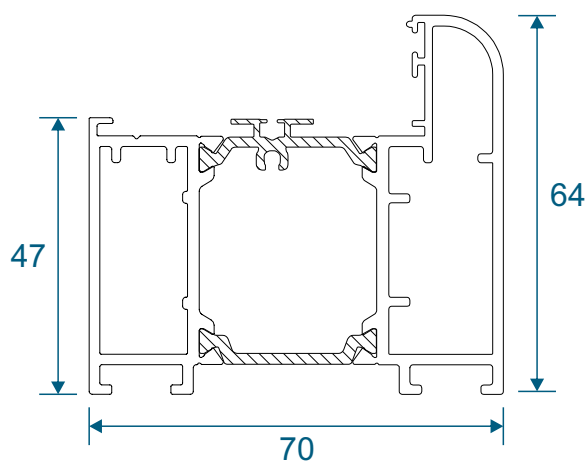
|  |    |
|--|----|
| Jamb                                     | 8  |
| Head With & Without Extension            | 9  |
| Meeting Stile - Locking & Wheel Versions | 10 |
| Threshold With & Without A Cill          | 11 |
| Corner Post Section With Traffic Door    | 12 |
| Corner Post Section With No Traffic Door | 13 |
| Configurations                           | 14 |

# Outer Frame, Threshold & Sashes

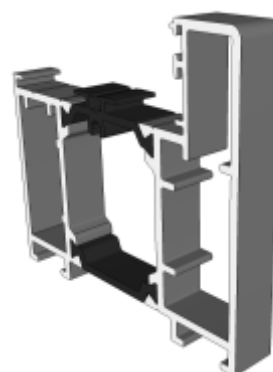
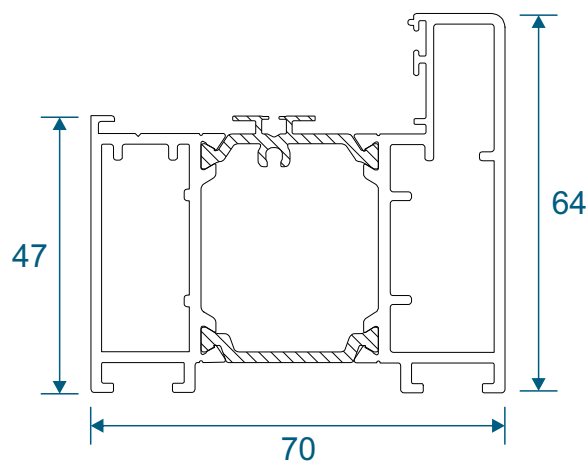
## P-06-100 - Outerframe / Standard Rebated Threshold



## P-06-200 - Radius Sash Profile

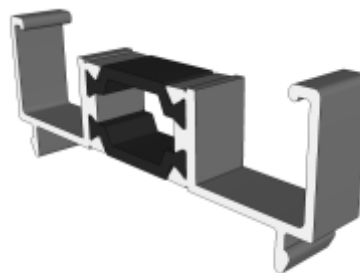
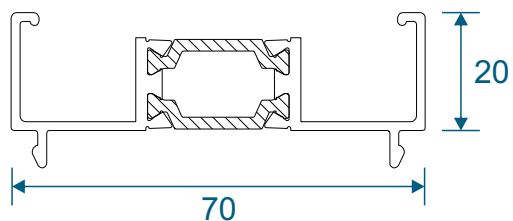


## P-06-202 - Square Sash Profile

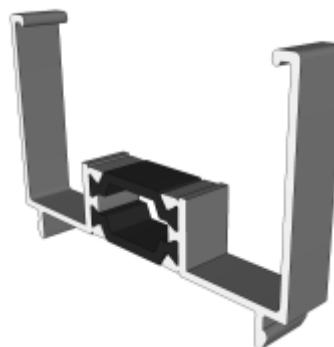
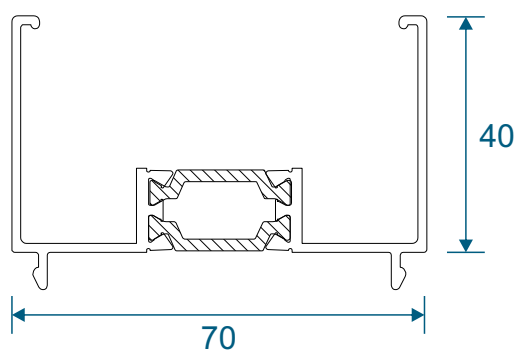


# Extensions & Corner Post

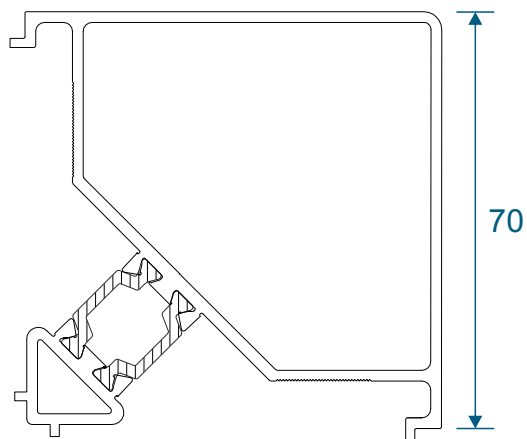
## AW724 - 20mm Head Extension



## AW728 - 40mm Head Extension

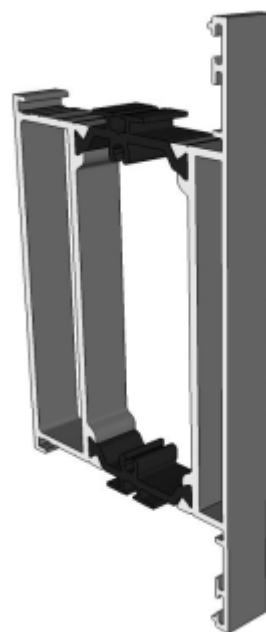
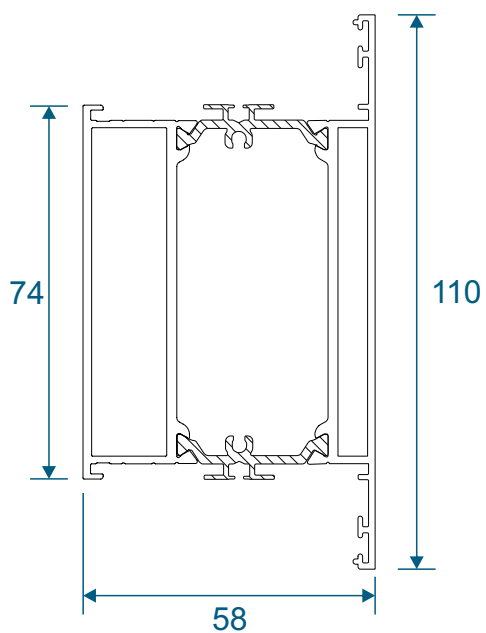


## AW720 - 70mm Corner Post

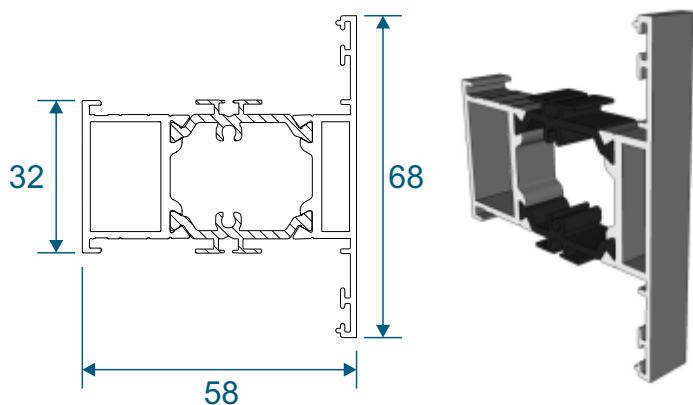


# Transoms, Mullions & Midrails

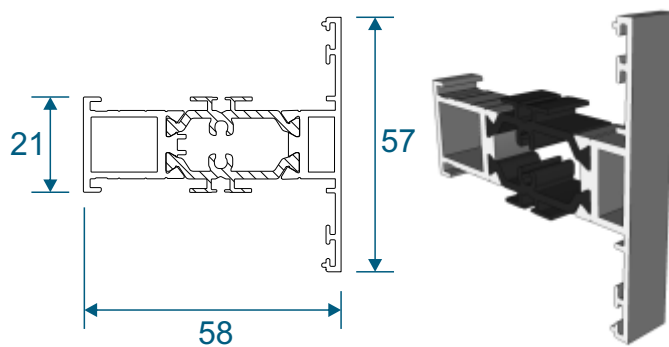
## AD309 - 110mm Midrail



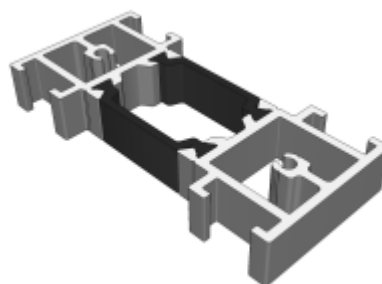
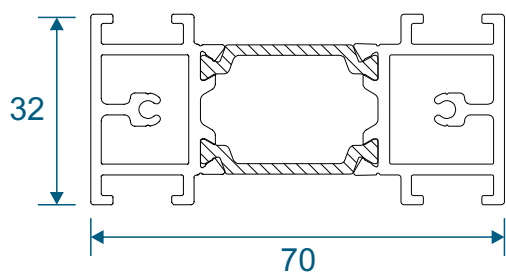
## AD308 - 68mm Transom / Mullion



## AD306 - 57mm Transom / Mullion

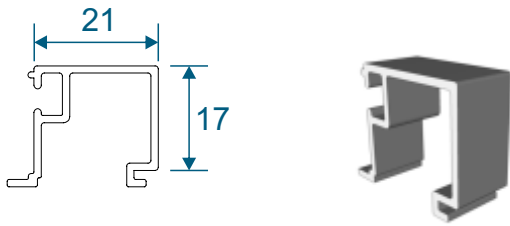


## P-06-300 - Floating Mullion

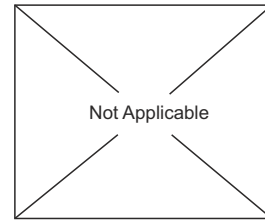


# Beads & Adaptors

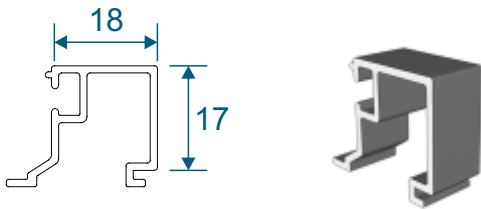
**AW667 - 24mm Square Bead**



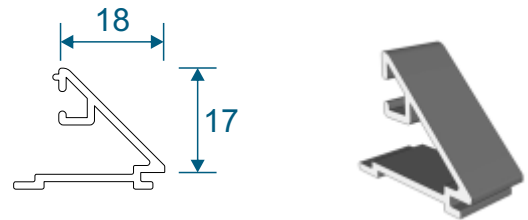
**24mm Chamfered Bead**



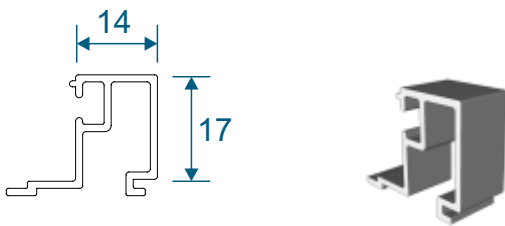
**AW660 - 28mm Square Bead**



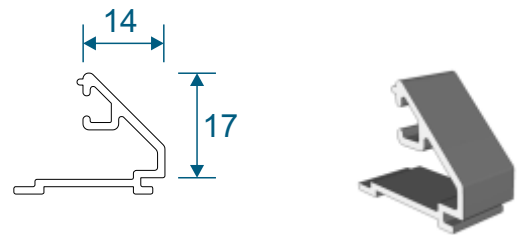
**AW513 - 28mm Chamfered Bead**



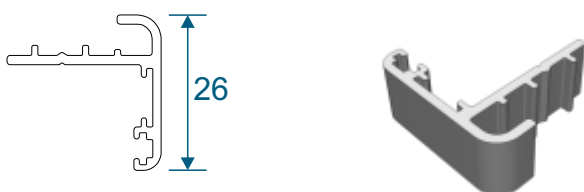
**AW668 - 32mm Square Bead**



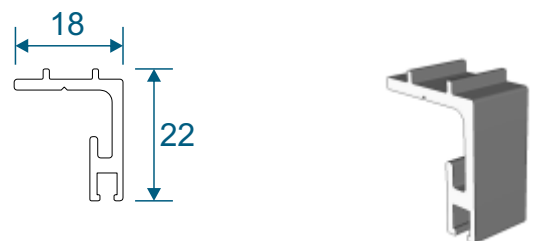
**AW630 - 32mm Chamfered Bead**



**P-00-210 - Rebate Adaptor**

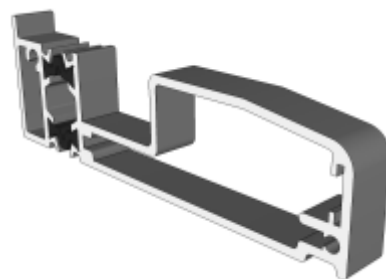
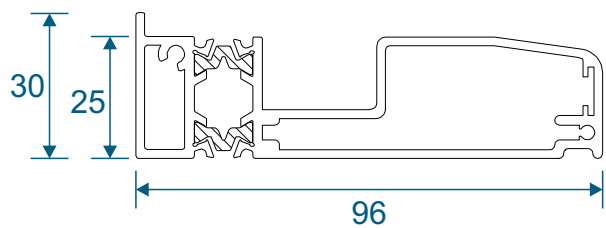


**P-00-211 - Threshold Adaptor**

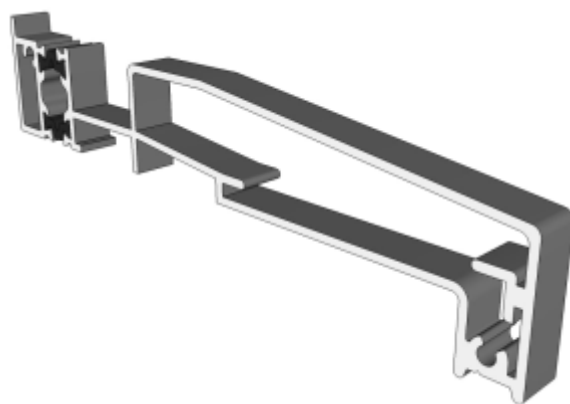
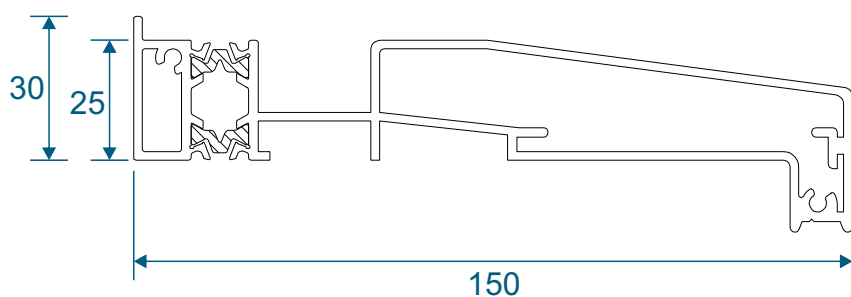


# Projection Cills

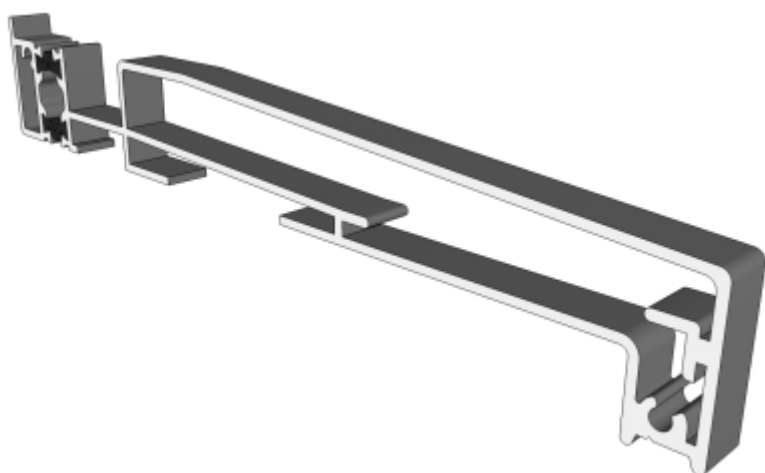
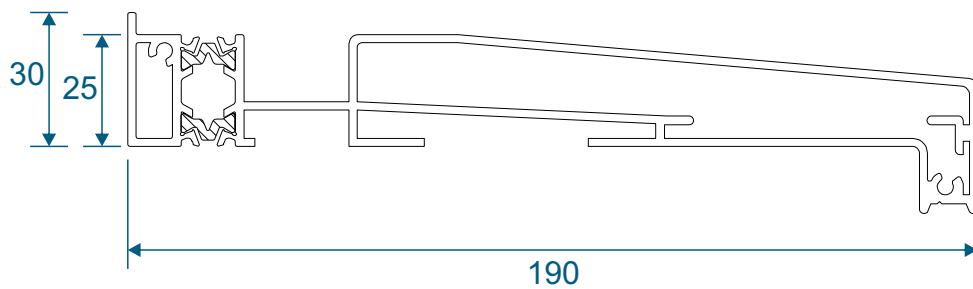
## AW570 - 96mm Cill



## AW542 - 150mm Cill

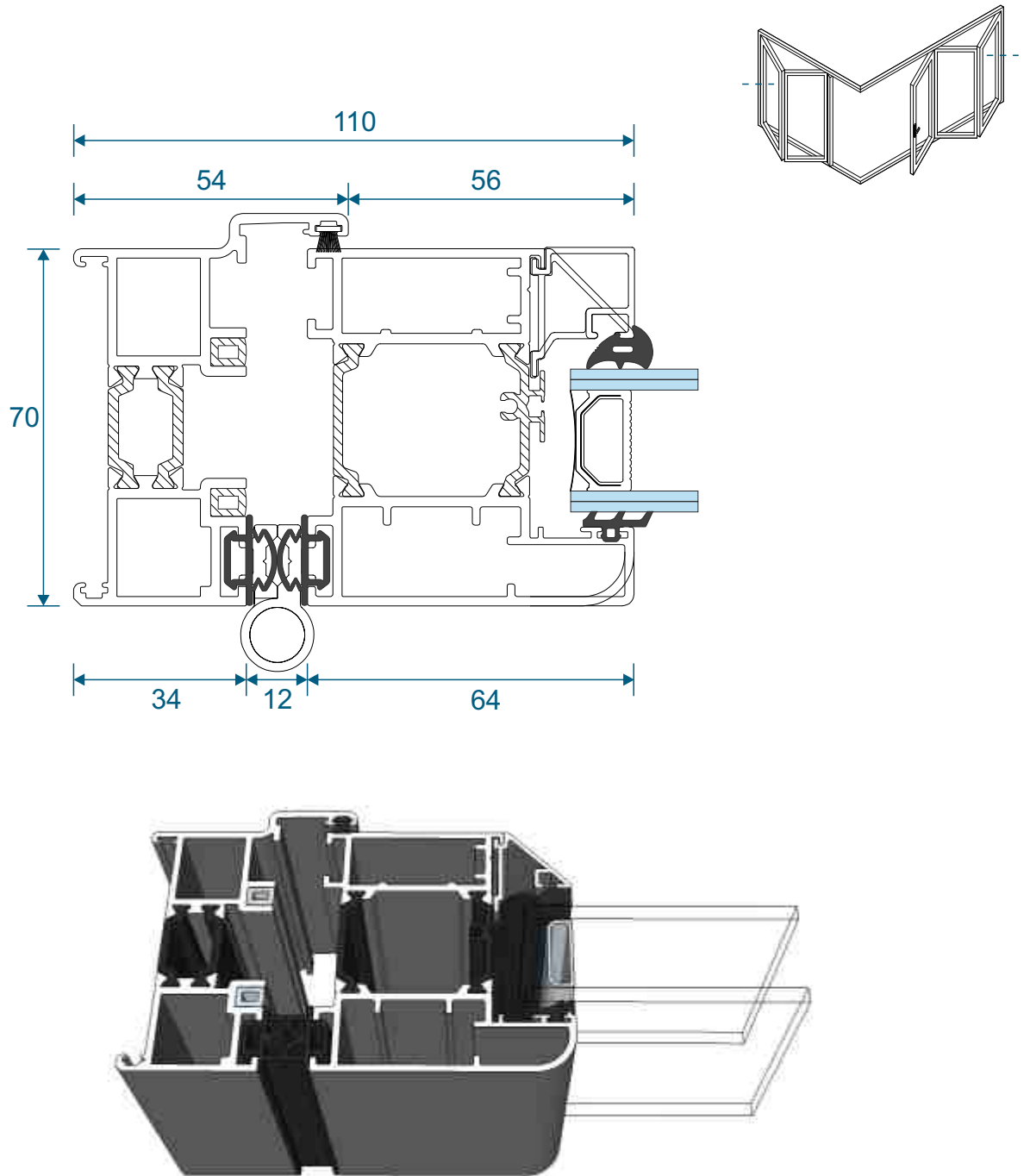


## AW544 - 190mm Cill



# Jamb Section

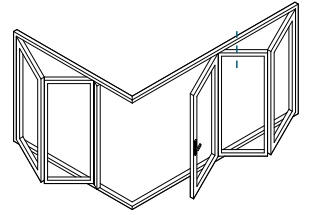
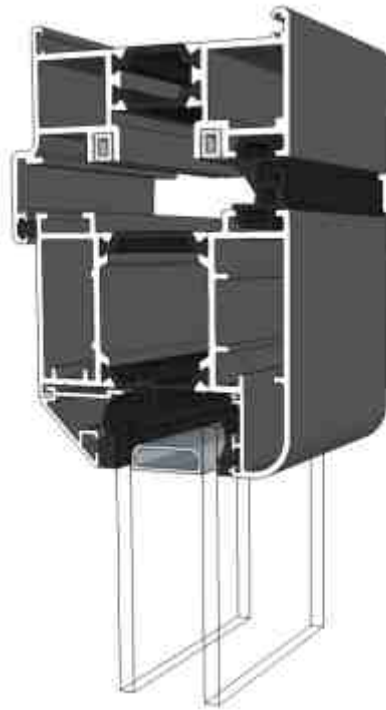
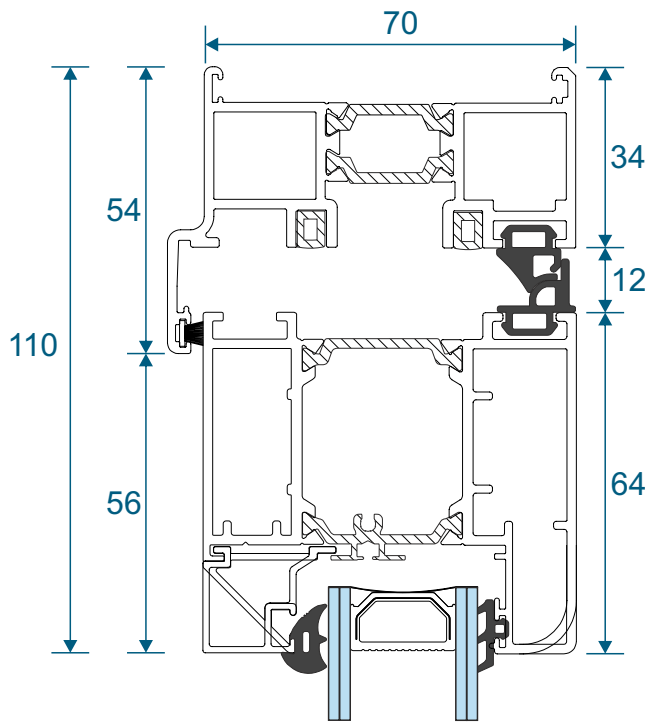
## Hinge Side Jamb - Open Out



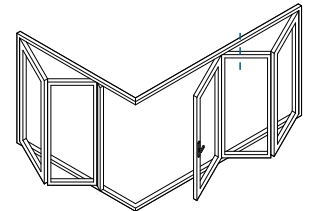
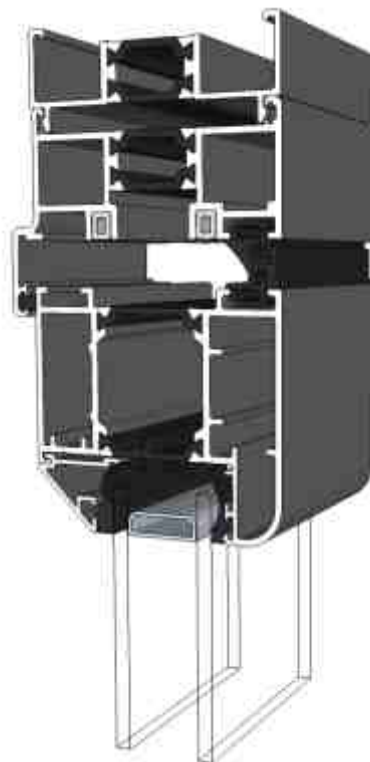
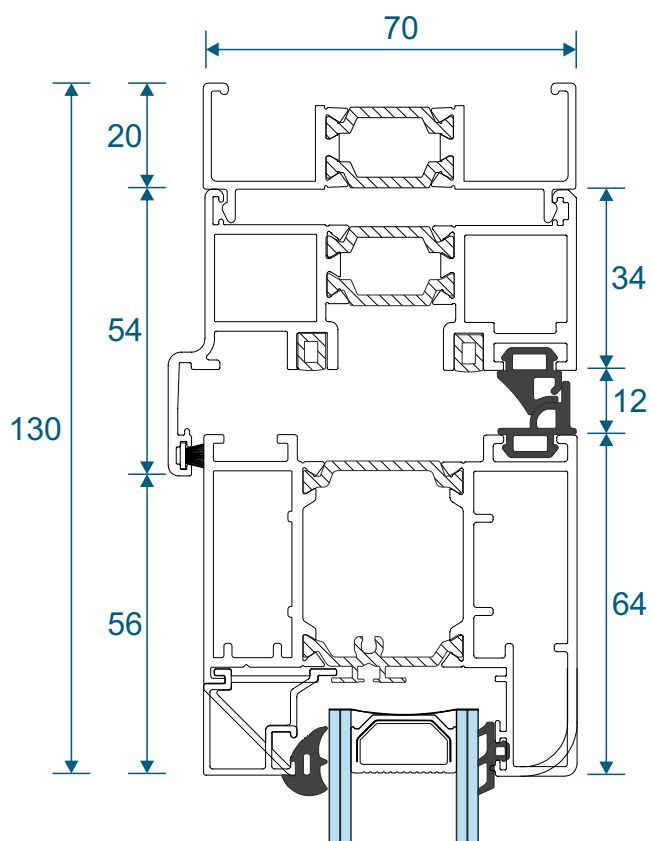


# Head Sections

## Head - Open Out

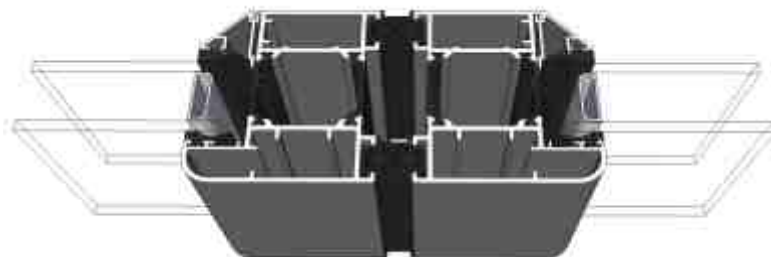
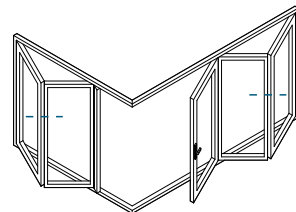
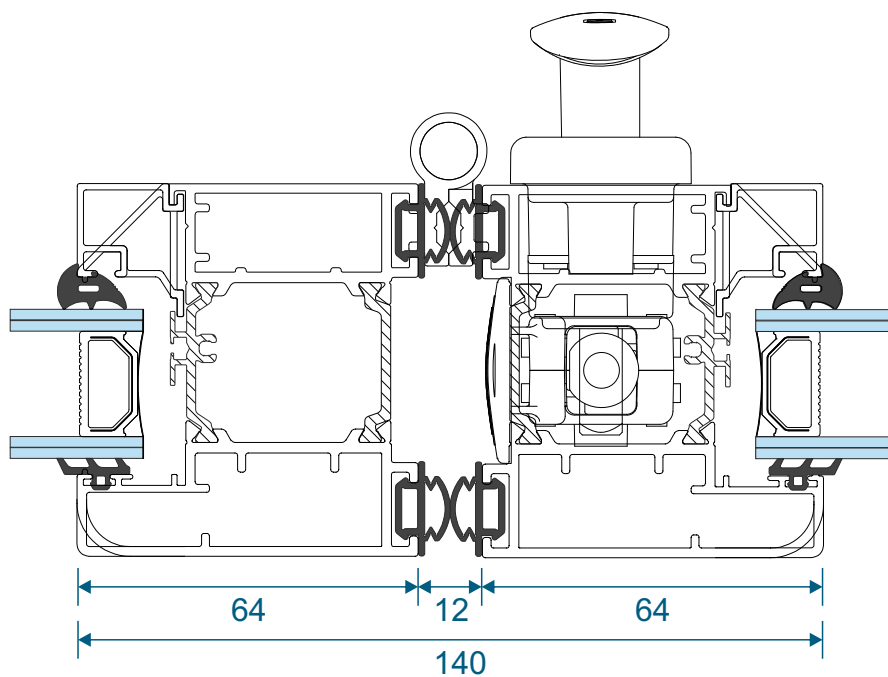


## Head With 20mm Extension - Open Out

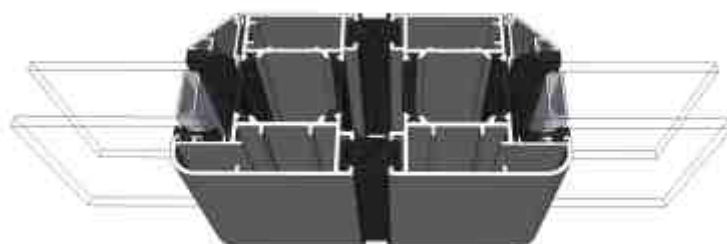
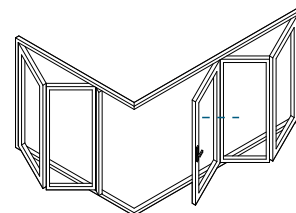
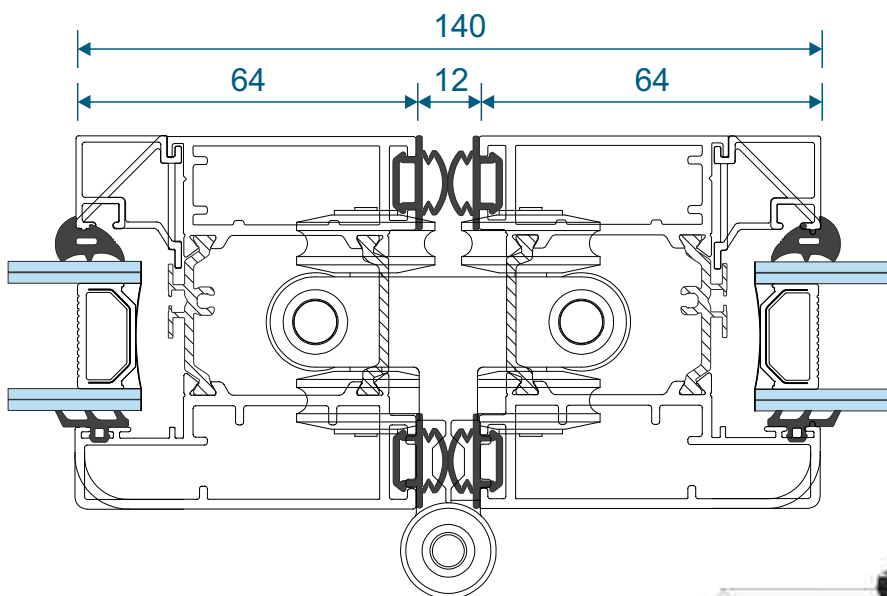


# Meeting Stiles

## Locking Stile - Open Out

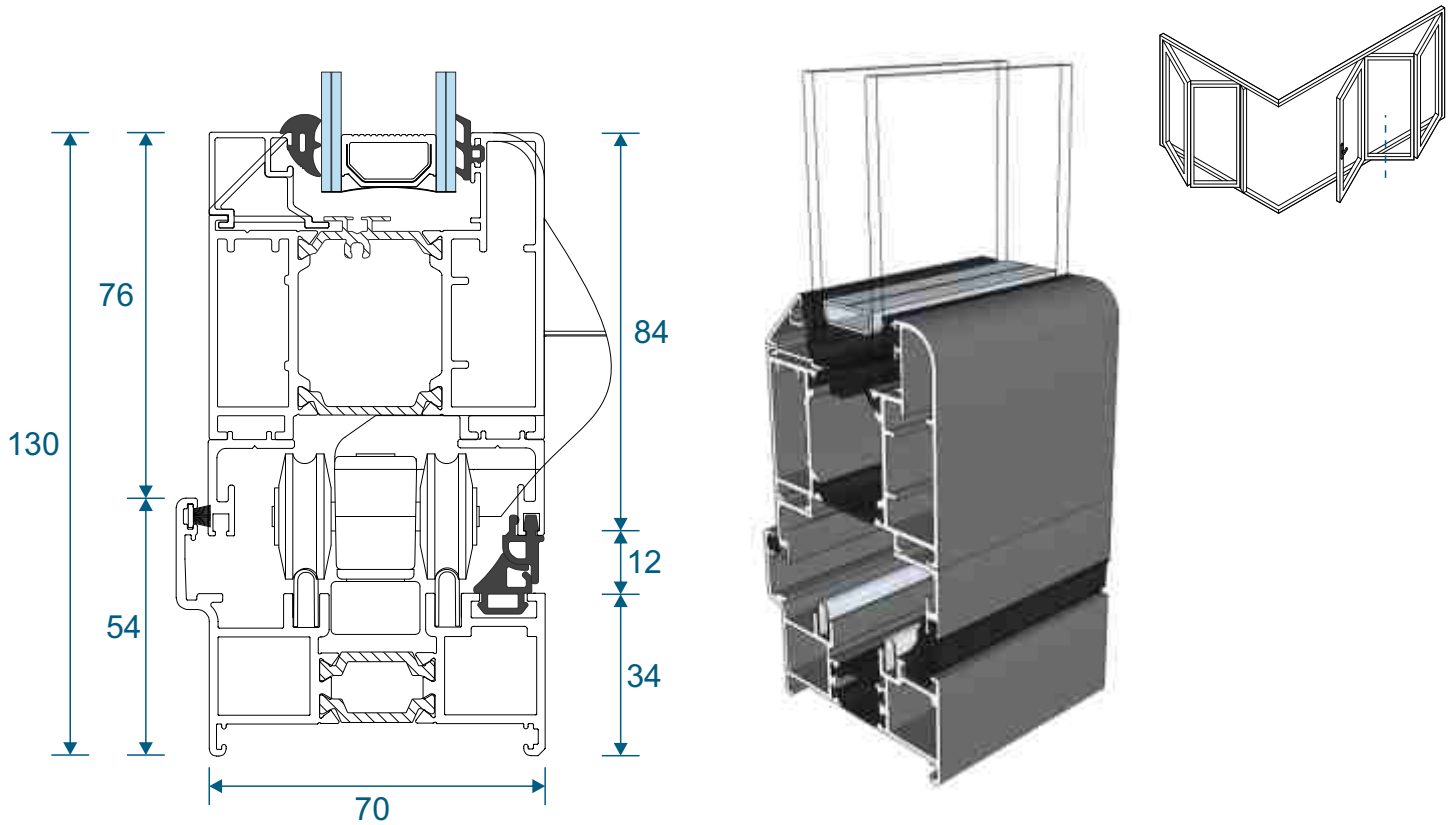


## Bogie Wheel Stile - Open Out

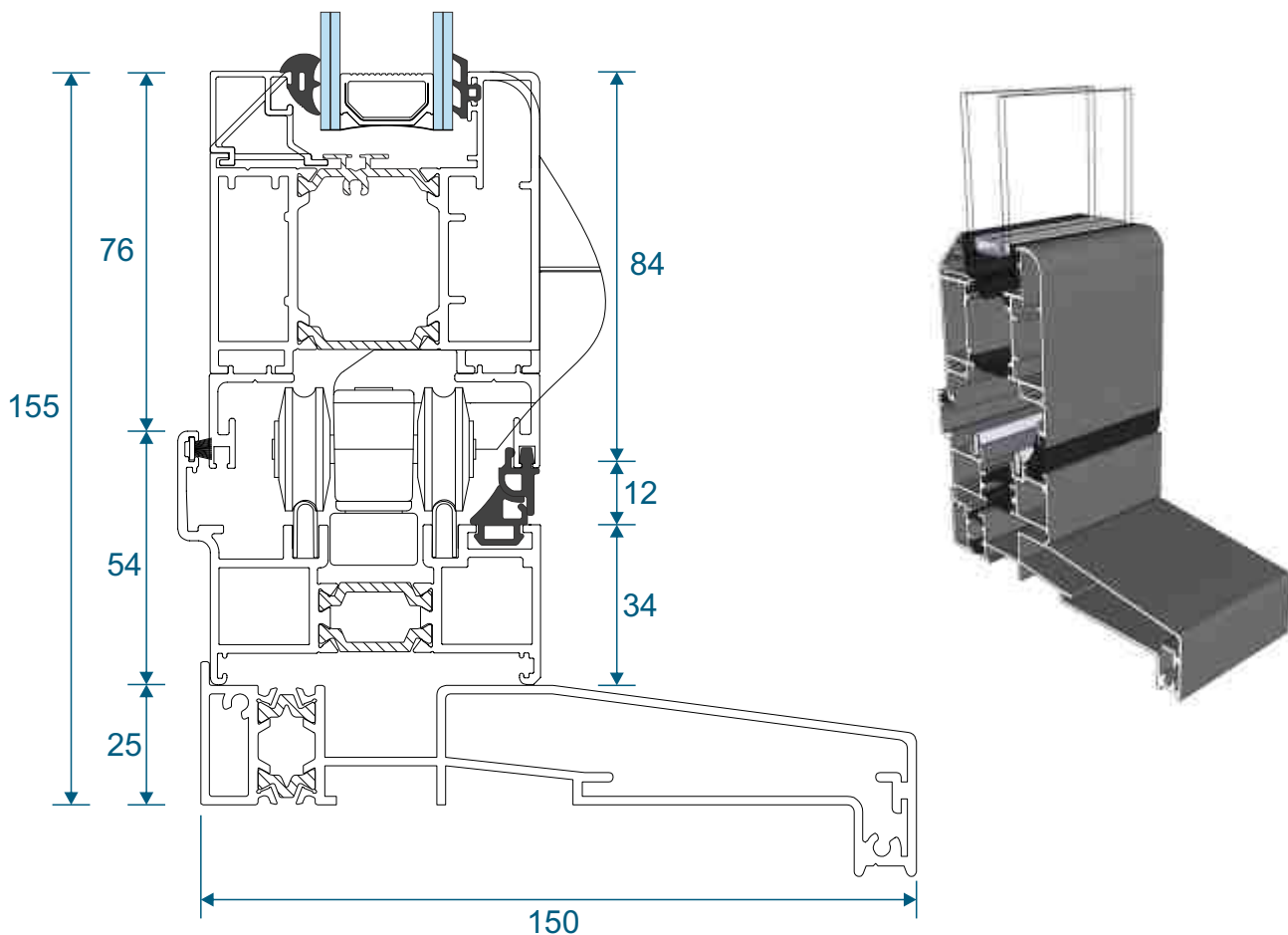


# Threshold Sections

## Standard Rebated With No Cill - Open Out

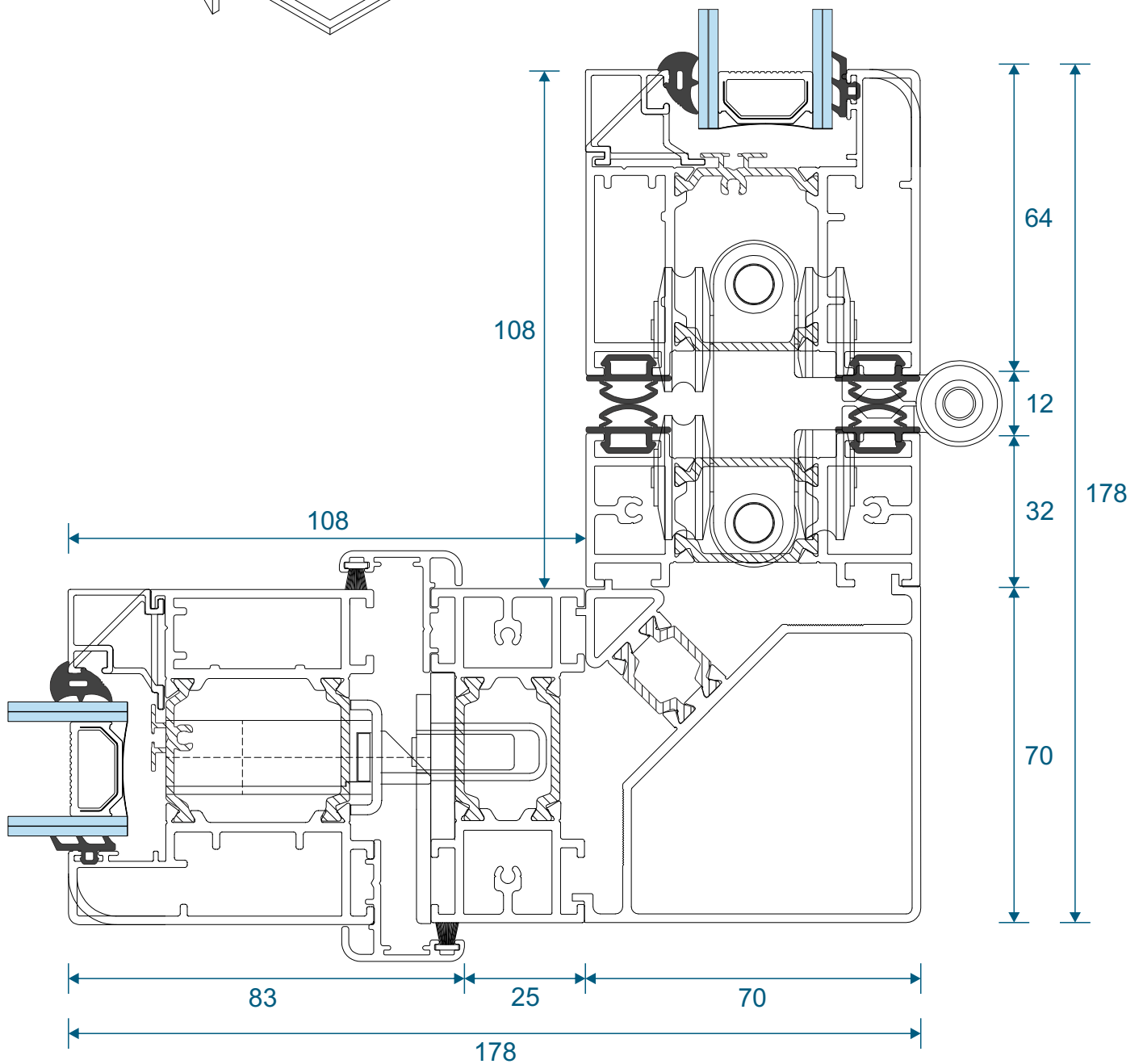
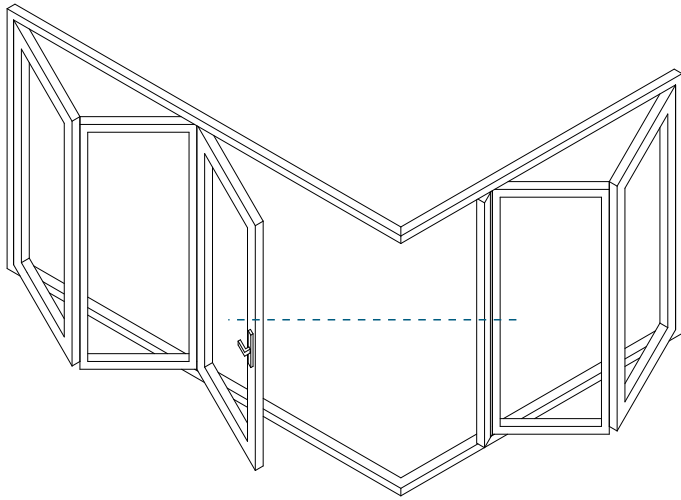


## Standard Rebated With 150mm Cill - Open Out



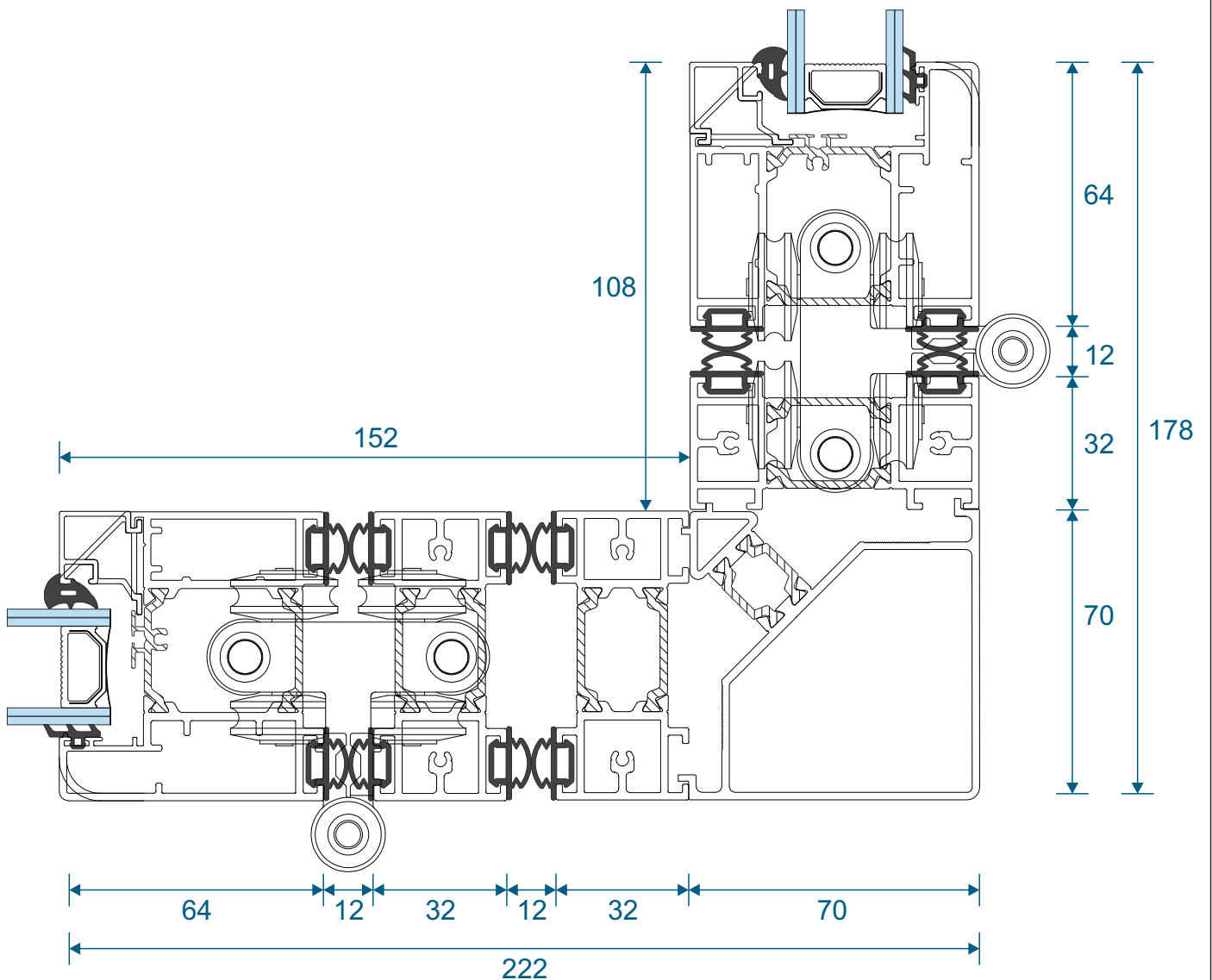
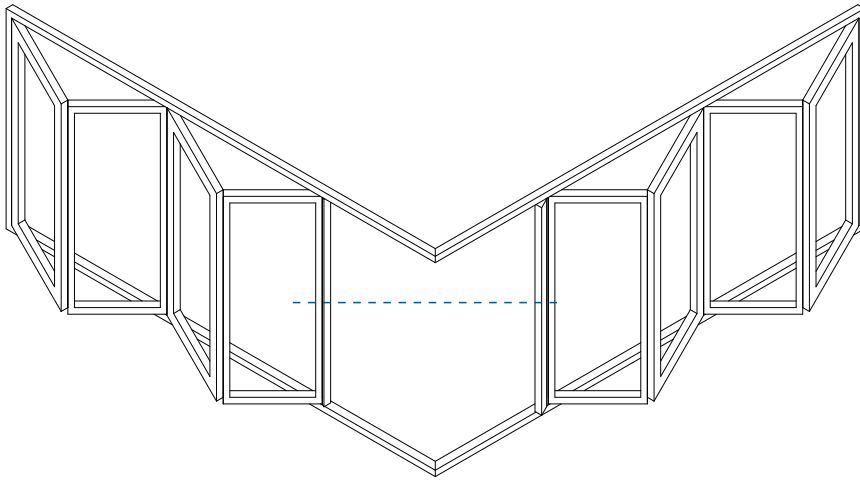
# Corner Post Sections

## Floating Corner Post With Traffic Door - Open Out



# Corner Post Sections

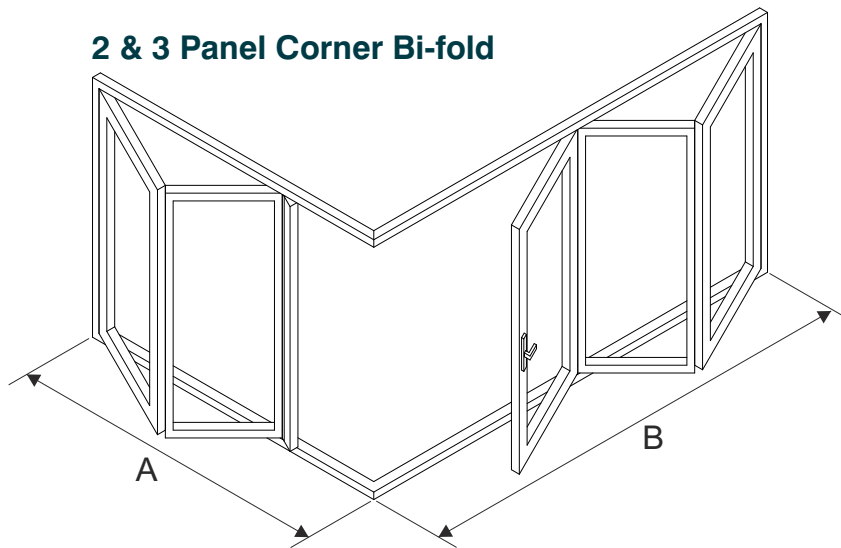
## Floating Corner Post With Traffic Door - Open Out



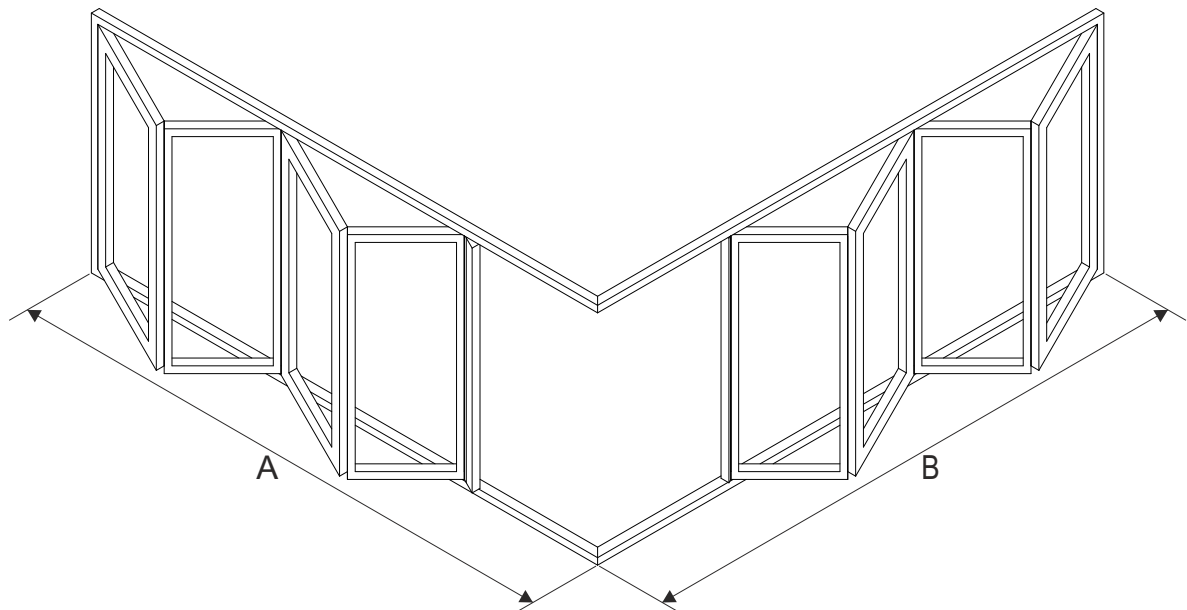
# Configurations

All Configurations Are For External Corners, Opening Out On A Standard Threshold

**2 & 3 Panel Corner Bi-fold**



**4 & 4 Panel Corner Bi-fold**



## Available Configurations

| A | B |
|---|---|
| 1 | 2 |
| 1 | 4 |
| 1 | 6 |

| A | B |
|---|---|
| 2 | 1 |
| 2 | 2 |
| 2 | 3 |
| 2 | 4 |
| 2 | 5 |
| 2 | 6 |
| 2 | 7 |

| A | B |
|---|---|
| 3 | 2 |
| 3 | 4 |
| 3 | 6 |

| A | B |
|---|---|
| 4 | 1 |
| 4 | 2 |
| 4 | 3 |
| 4 | 4 |
| 4 | 5 |
| 4 | 6 |
| 4 | 7 |

| A | B |
|---|---|
| 5 | 2 |
| 5 | 4 |
| 5 | 6 |

| A | B |
|---|---|
| 6 | 1 |
| 6 | 2 |
| 6 | 3 |
| 6 | 4 |
| 6 | 5 |
| 6 | 6 |
| 6 | 7 |

### **Main Office & Factory**

Units 4-5,                    t: 01268 681612 (15 lines)  
Charfleets Road,        f: 01268 510058  
Canvey Island,         e: sales@duration.co.uk  
Essex. SS8 0PQ         w: www.duration.co.uk

### **Grand Design Exhibition Centre**

Unit 1 Casino Parade,    t: 01268 695100  
Eastern Esplanade,  
Canvey Island,            SatNav Directions  
Essex. SS8 7FJ            Use: SS8 7DN.