

Note:

A bottom fixed running-track might need support on the whole length. Please refer to your hardware-supplier for details.

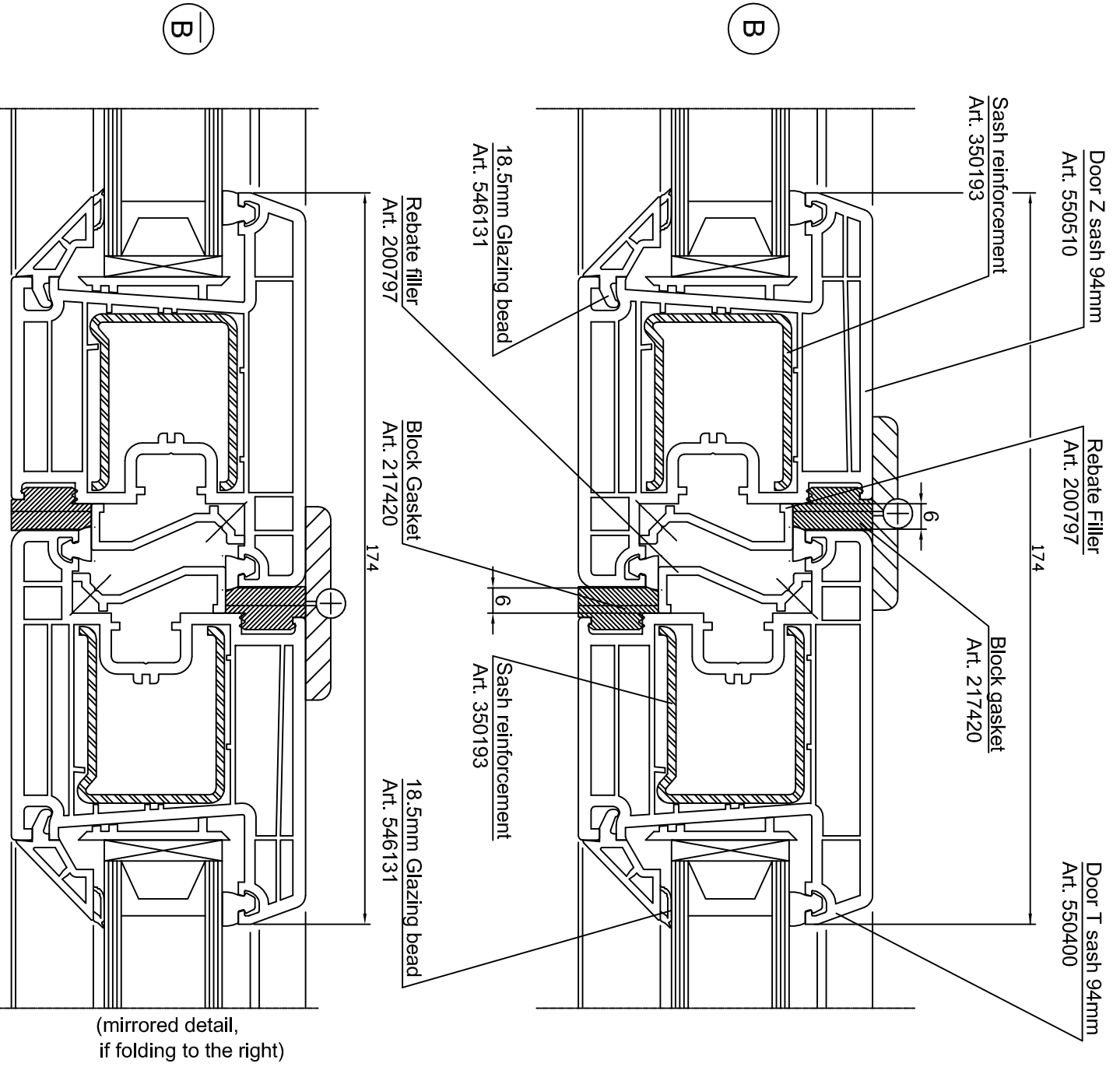
Vertical deductions:

- FH = [frame height] = FOH - 45mm (extension profile)
- FRH = [frame rebate height] = FH - 112mm
- SH = [sash height] = FOH - 141mm
- SRH = [sash rebate height] = SH - 40mm
- GRH = [glazing rebate height] = SH - 148mm
- GH = [glazing height] = SH - 158mm
- SRH = [sash rebate height] = SH - 40mm
- FPL = [filler profile length] = SRH
- DML = [dummy mullion length] = SRH - 36mm = SH - 76mm

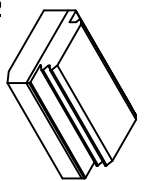
Note:

In upper stated cutting sizes no weld-allowance included!

REHAU®		S706/S799 Multi-fold-door
Scale 1:2	A4	Vertical Cross Section and Deductions (76mm Frame)
ROW 2520	19/09/06	
Detail 2.2.A		



Block Gasket
Art. No. 217420



Note:

Block gasket, art. 217420, fitted on top and bottom only.

Use silicon sealant or super glue for fixing.

Rebate Filler
Art. No. 200797



Note:

Rebate Filler fitted along whole length.
To be screw fixed at 500mm centres.

REHRAU		S706/S799	
Multi-fold-door		Cross Section Folding	
not to scale	A4	Jambes Hinged Outside	
ROW 2694	08/07/08		
Detail 2.5			

D1

Door Z sash 94mm
Art. 550510

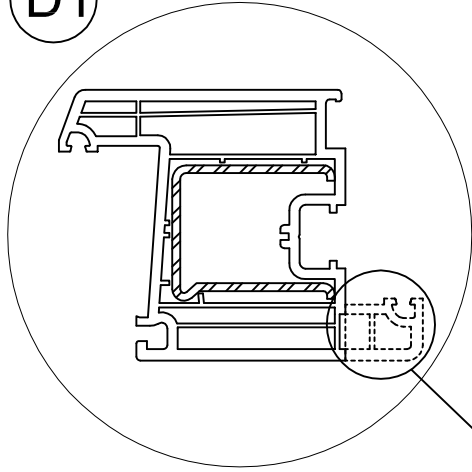
Silicon sealant

Door Z sash 94mm
Art. 550510

Sash reinforcement
Art. 350193

Dummy mullion
Art. 550080

176



Upstand to be cut off
on whole length

Sash reinforcement
Art. 350193

Dummy mullion gasket
Art. 864940

18.5mm Glazing bead
Art. 546131

D2

Door Z sash 94mm
Art. 550510

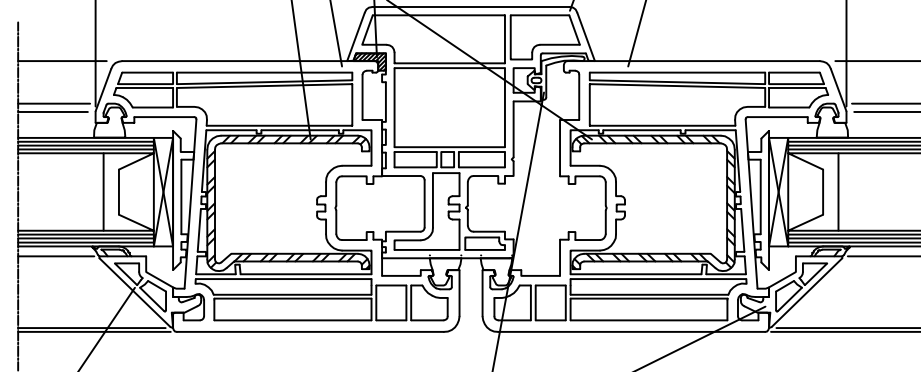
Silicon sealant

Dummy mullion
Art. 550560

194

Sash reinforcement
Art. 350193

Door Z sash 94mm
Art. 550510



18.5mm Glazing bead
Art. 546131

Dummy mullion gasket
Art. 864940

REHAU®

S706/S799
Multi-fold-door

Scale 1:2

A4

ROW 2694

08/07/08

Floating Mullion
Jambs

Detail 2.7