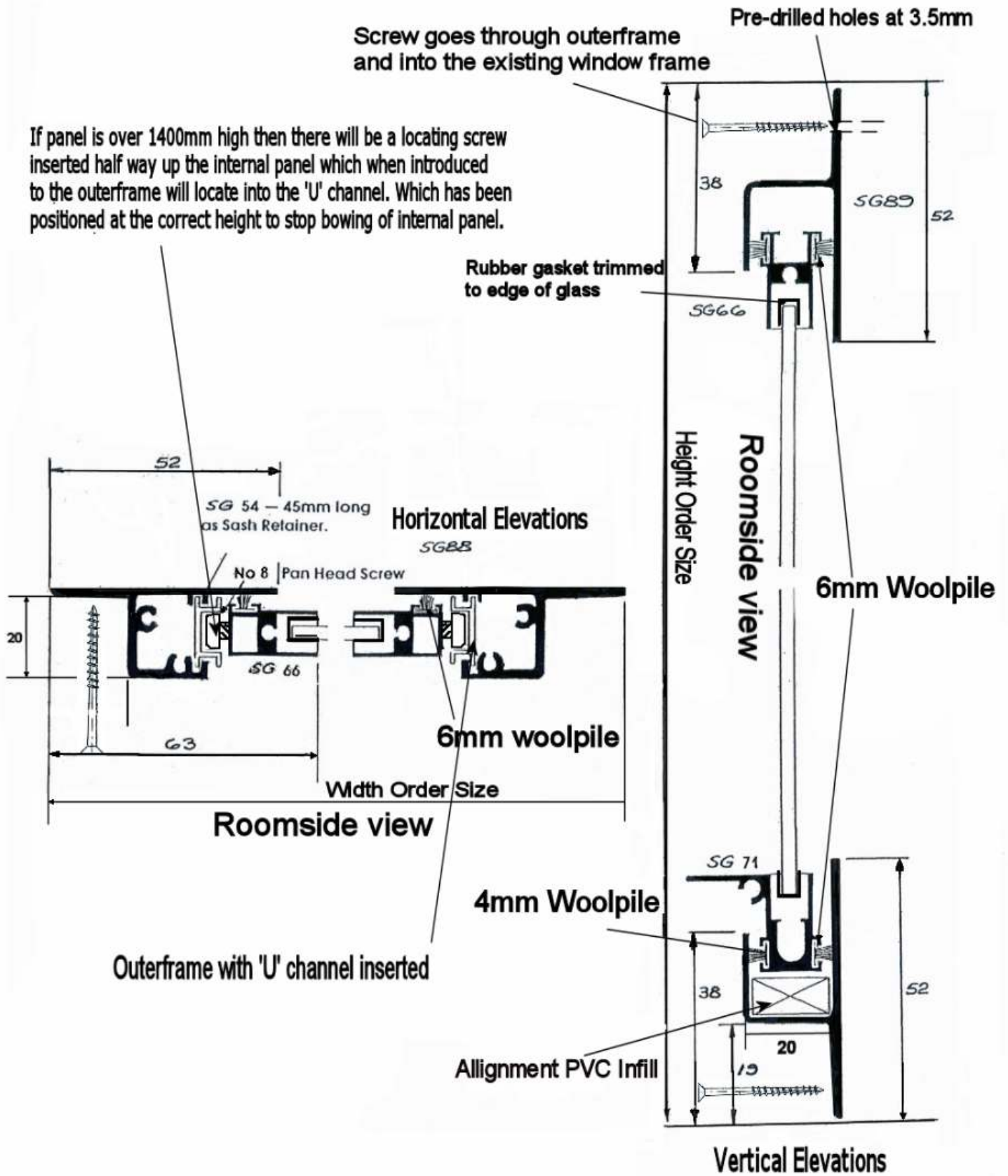


Lift Out Secondary Sash Window With Economy Frame

All dimensions in millimetres



Updated November 2006

Duration Windows reserves the right to change specifications of its products without prior notice in keeping with our policy of continued product development.

Lift Out Secondary Sash Window Frame Fix MDF1 Outerframe

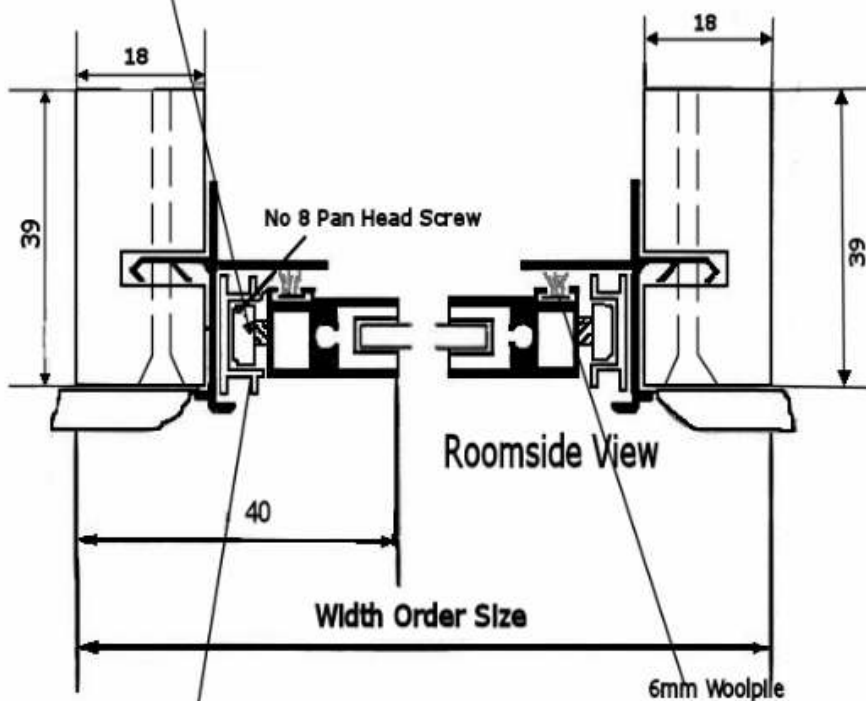
All dimensions in millimetres

TM1 Cover Trim

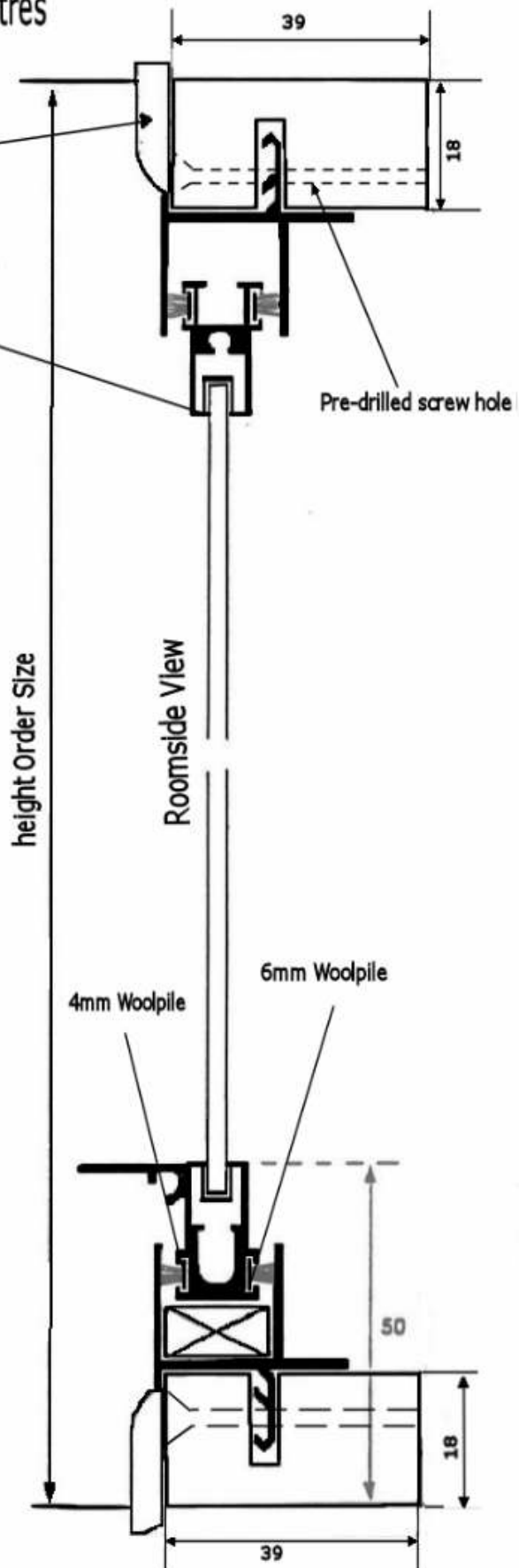
Rubber Gasket trimmed to the edge of the glass

Pre-drilled screw hole

If panel is over 1400mm high then there will be a locating screw inserted half way up the internal panel which when introduced to the outerframe will locate into the 'U' channel. Which has been positioned at the correct height to stop bowing of internal panel.



Outerframe with 'U' channel inserted



Updated November 2006

Duration Windows reserves the right to change specifications of its products without prior notice in keeping with our policy of continued product development.

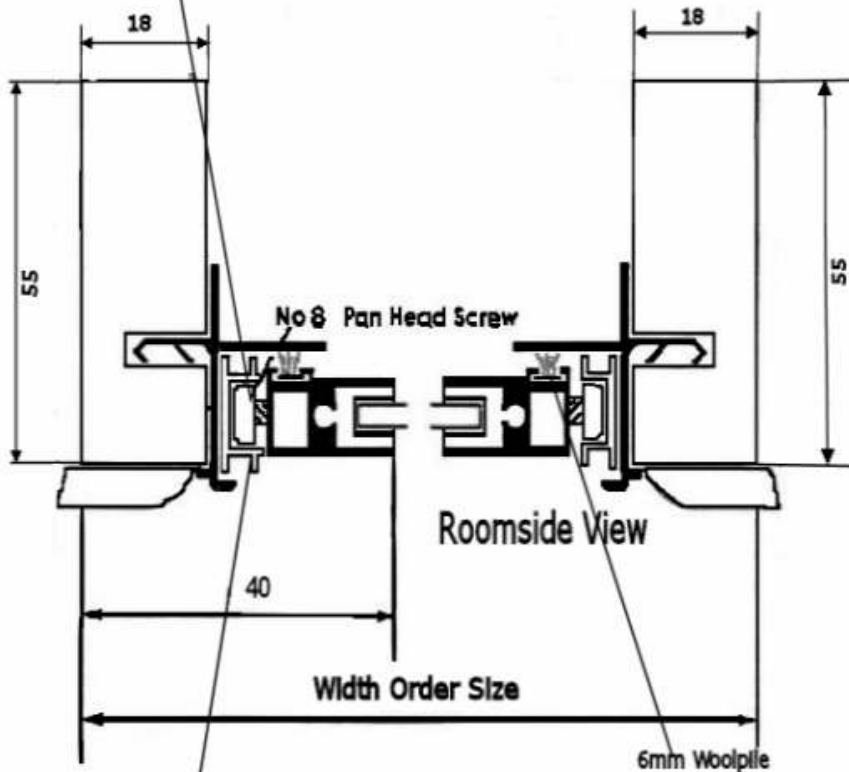
Lift out Secondary Sash Window Reveal Fix MDF3 Outerframe

All dimensions in millimetres

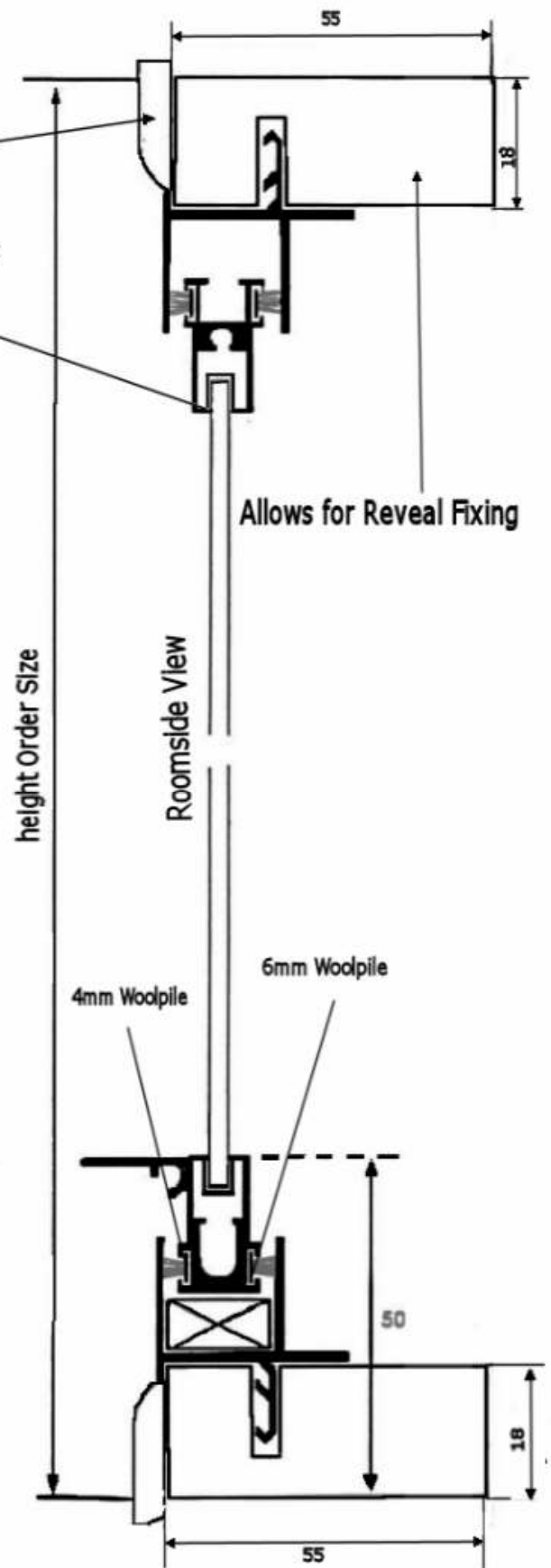
TM1 Cover Trim

Rubber Gasket trimmed at the edge of the glass

If panel is over 1400mm high then there will be a locating screw inserted half way up the internal panel which when introduced to the outerframe will locate into the 'U' channel. Which has been positioned at the correct height to stop bowing of internal panel.



Outerframe with 'U' channel inserted



Updated November 2006

Duration Windows reserves the right to change specifications of its products without prior notice in keeping with our policy of continued product development.