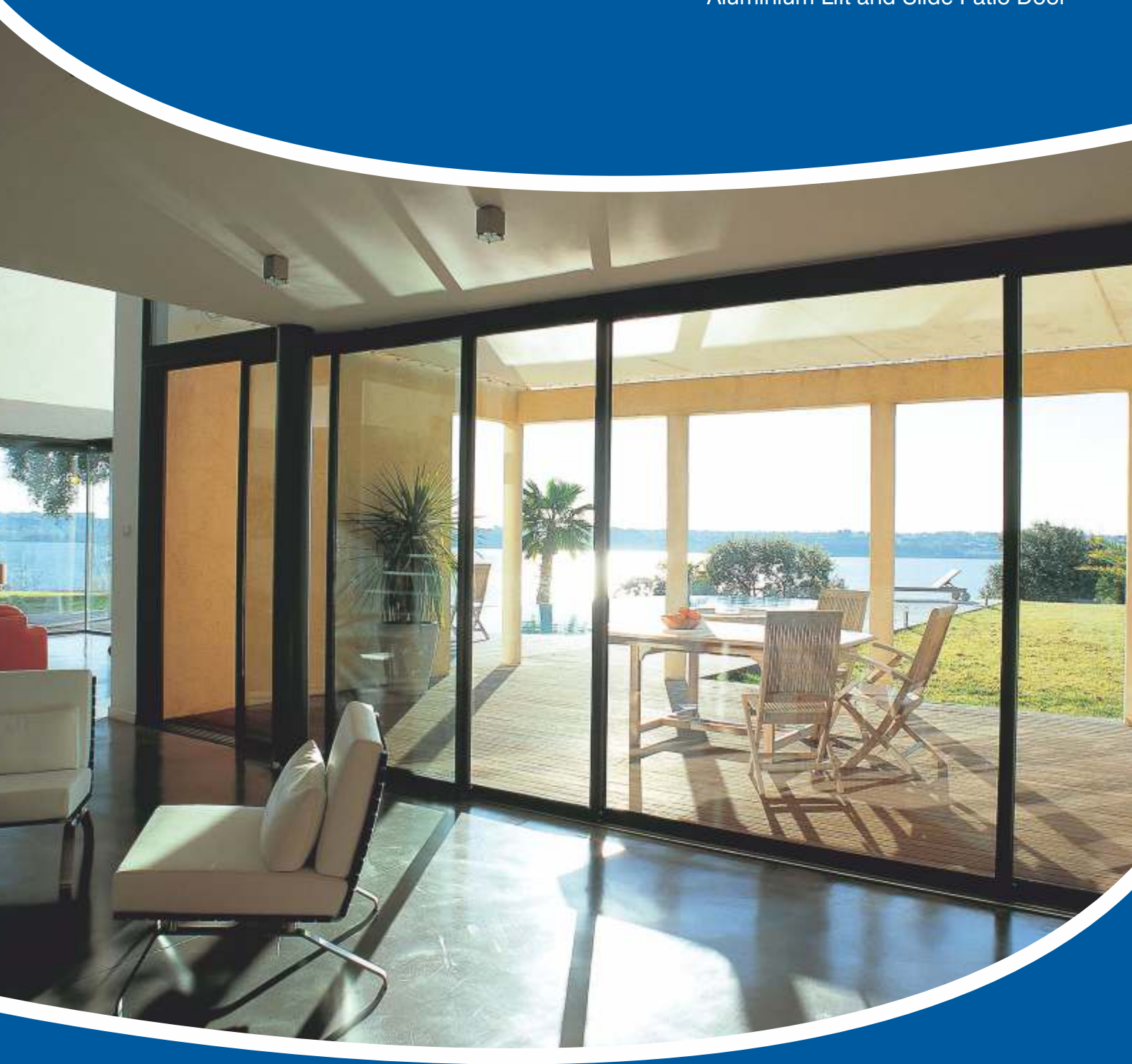


Penthouse Plus LS

Aluminium Lift and Slide Patio Door



DURATION
WINDOWS



Stylish, Efficient & Impressive
Penthouse Plus LS
Lift and Slide Patio



The Penthouse Plus LS is based on the design of our popular Penthouse Plus S that uses a unique lift and slide mechanism and offers maximum glass area, resulting in increased natural light and unobstructed views. These doors are capable of large widths and heights and despite their weight, the high specification hardware enables them to lift and slide easily with minimum effort. Constructed from strong low maintenance 'Polyamide' thermally broken aluminium profiles, these doors deliver thermal efficiency and high performance.

Our Penthouse Plus LS patio doors are versatile and offer many different styles and designs. There are a range of panel configurations to suit any project, and a triple track system with three panels can achieve approximately a two thirds clear opening. Not only are these doors flexible, but they are practical too. They have a specially designed threshold that enables you to bring the internal floor flush with the top of the threshold, minimising any trip hazard. Suitable for many applications, these doors will fill your property with light and make the most of a beautiful view.




Key Features

- Multiple panel configurations offering greater flexibility.
- Unique lift and slide mechanism.
- Strong, low maintenance profiles give unobstructed views with maximum glass and light.
- Extensive range of over 200 single or dual colours available.*
- Also available in a range of textured colours.
- 'Polyamide' thermally broken profiles for superior efficiency.
- Panels can be made up to 2500mm wide and 2500mm high.**
- Available with slim-line interlock of just 35mm.
- Internal beaded system providing added security.
- Runs on stainless steel tracks.
- Multipoint high security locking consisting of 4 heavy duty bolts.
- Specially designed threshold may be flush fitted level with the internal floor, minimising any trip hazard.

Options

- Available in 2, 3, 4 or 6 panel configurations.
- Two or three track options available.
- Range of projection cills available to suit your build.
- Colour matched aluminium quad trim available.
- Head extension for trickle vents.

Performance

U-Value	Air Permeability	Water Tightness	Wind Resistance
As Low As* 1.6	 TBA	 TBA	 TBA

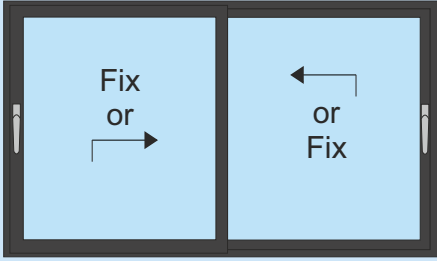
* Dual colour only available on two track designs.

** We may not provide the glass on large panels - please consult our team for details.

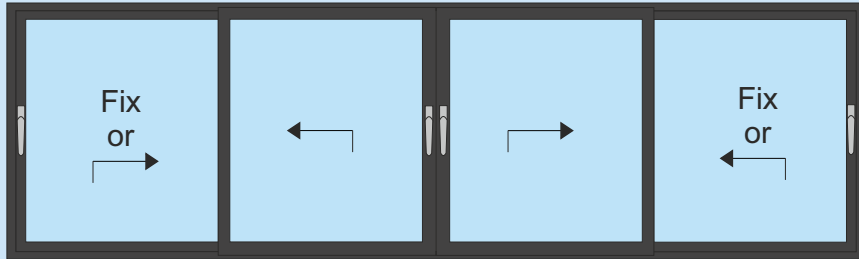
** Depending on glass spec used.



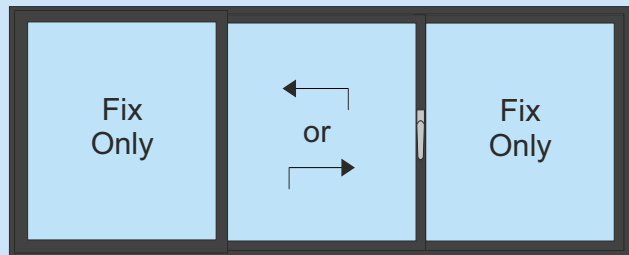
Configurations Viewed from inside.



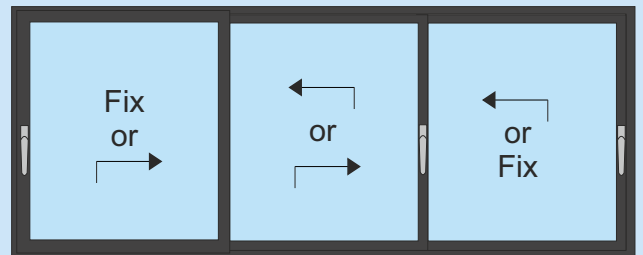
2 Panel - 2 Tracks



4 Panel - 2 Tracks

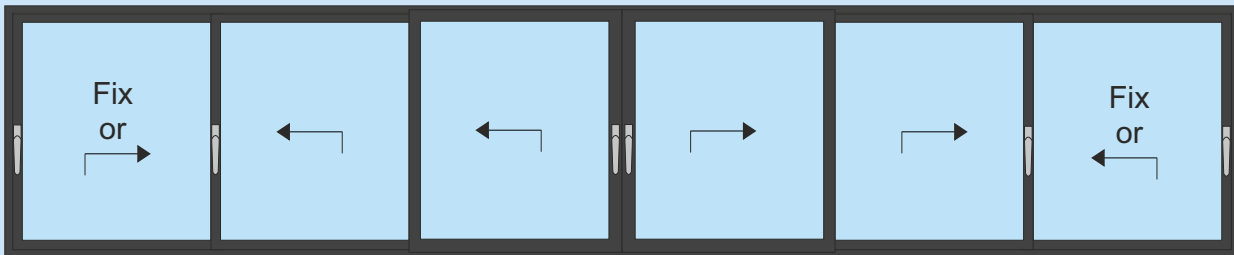


3 Panel - 2 Tracks



3 Panel - 3 Tracks

No handles or lock to outside - Inside only.



6 Panel - 3 Tracks

All moving panels will have a handle to lift the panel before sliding.
Slim interlock only available on 2 and 4 panel configurations.

Hardware

Lever Handle



White
Black
Silver
7016
Trend
RAL

Finger Pull Handle



White
Black
Silver
7016
Trend
RAL

Colours

DUR Colours - Flat Paint Finish

White
(9010 G)



White
(9010 M)



Black
(9005 M)



Dark Grey
(7016 M)



Medium Grey
(9007 Met.)



Silver Grey
(9006 Met.)



Trend Colours - Textured Paint Finish

Anthracite Grey
(DUR 14 ST)



Velour White
(DUR 001 T)



Silver Grey
(DUR 017 T)



Diamond Grey
(DUR 026 T)



Vulcan Black
(DUR 014 T)



Obsidian Black
(DUR 013 T)



RAL Colours

200+ RAL Colours



This is only a selection of the available colours. Please visit our website for more options. Please note that for technical reasons associated with colour reproduction the images only give an indication of shade. No guarantee can be given that they will exactly match the powder coated product.



Create Bright Open Spaces



Available In 200+ Colours



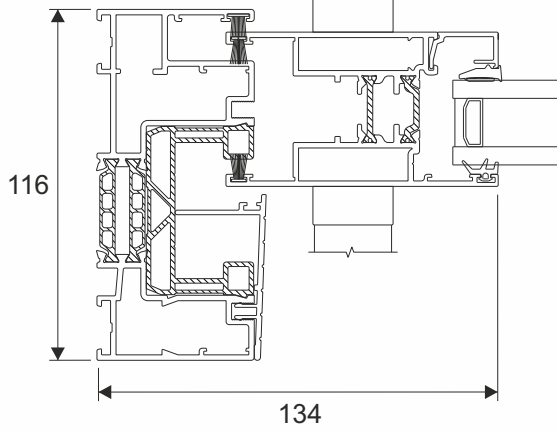
Create An Internal Low Threshold



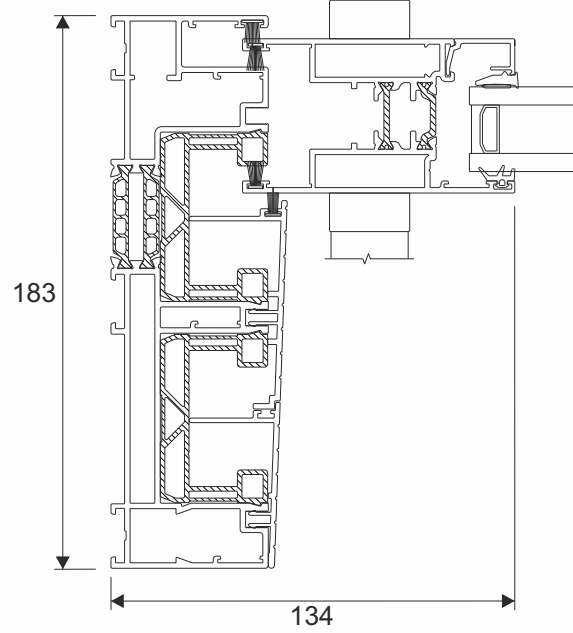
Large Panels For Panoramic Views

Technical

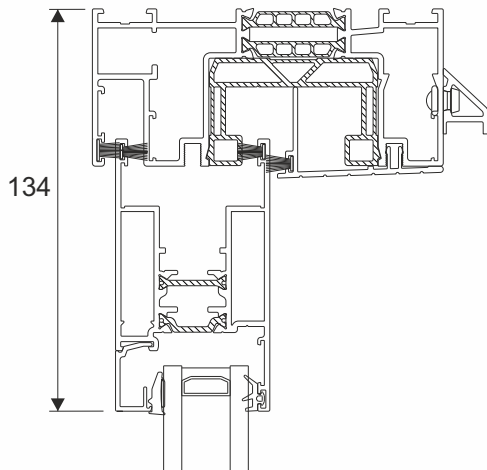
2 Track Jamb



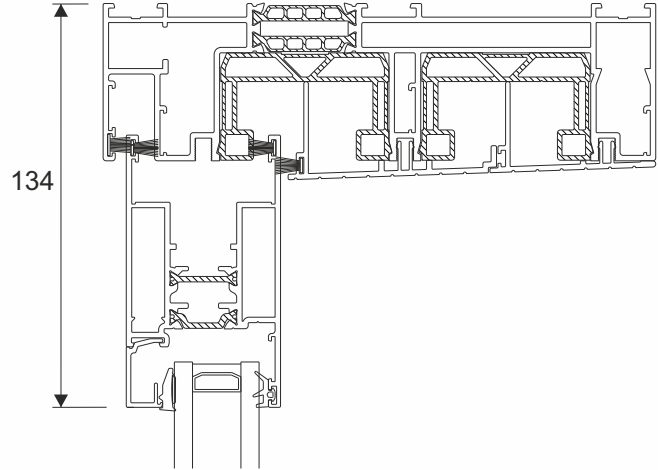
3 Track Jamb



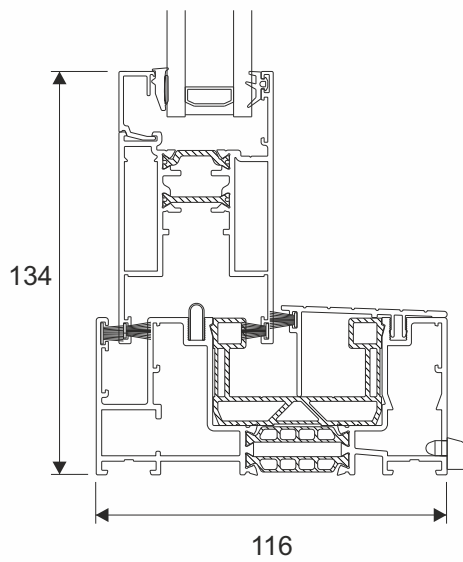
2 Track Head



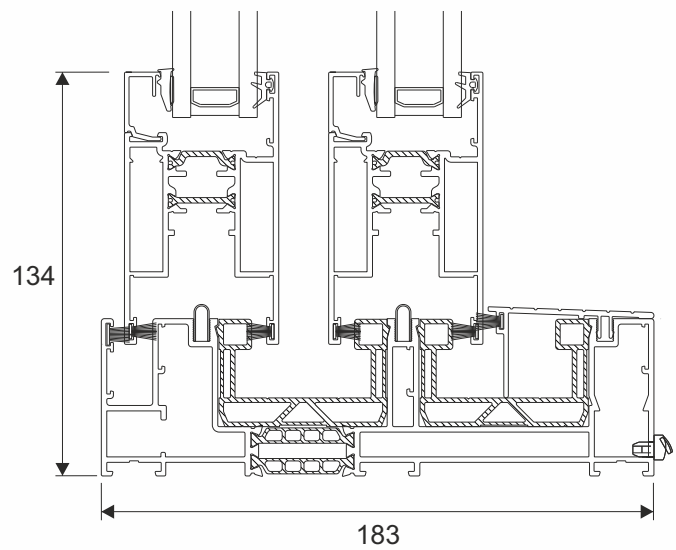
3 Track Head



2 Track Threshold - No Cill

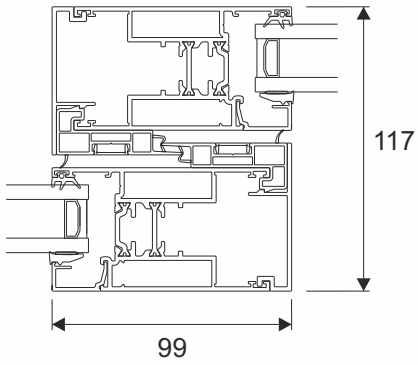


3 Track Threshold - No Cill

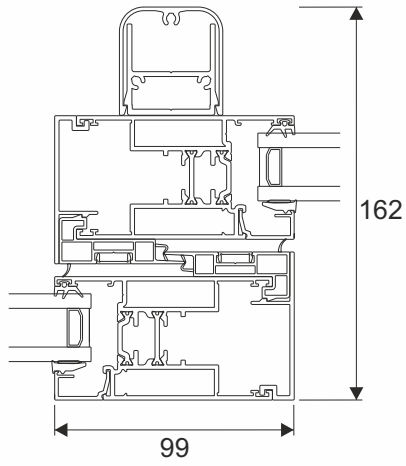


Technical

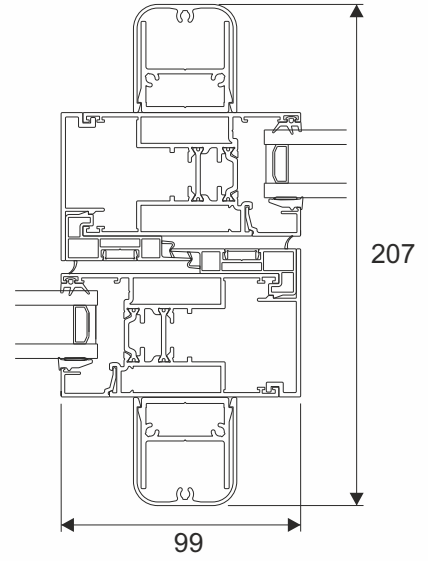
Standard Interlock



Single Heavy Duty Interlock

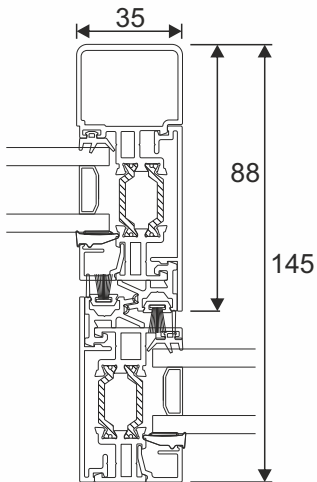


Double Heavy Duty Interlock



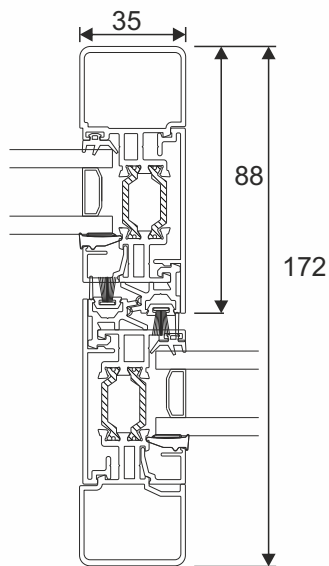
Slim Standard Duty Interlock

N/A for 3 panels



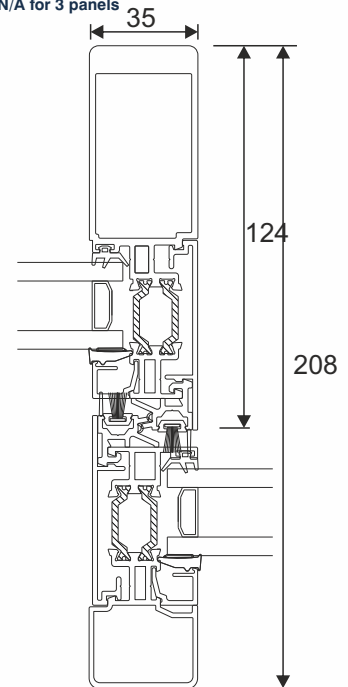
Slim Medium Duty Interlock

N/A for 3 panels

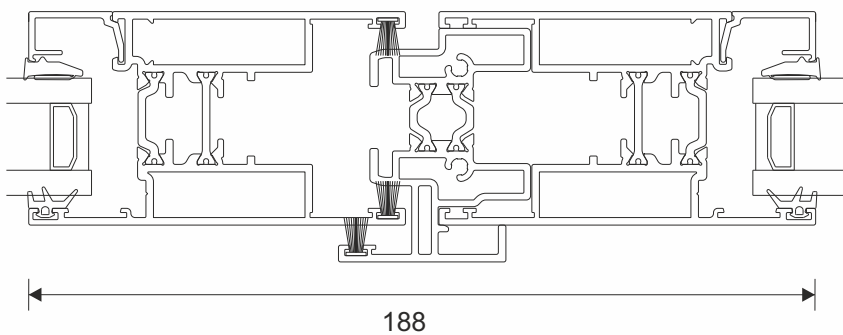


Slim Heavy Duty Interlock

N/A for 3 panels



4 Panel Meeting Style



Duration Windows
Thames Development
Charfleets Road
Canvey Island
Essex. SS8 0PQ

sales@duration.co.uk
www.duration.co.uk

Head Office 01268 681612
Showroom 01268 695100