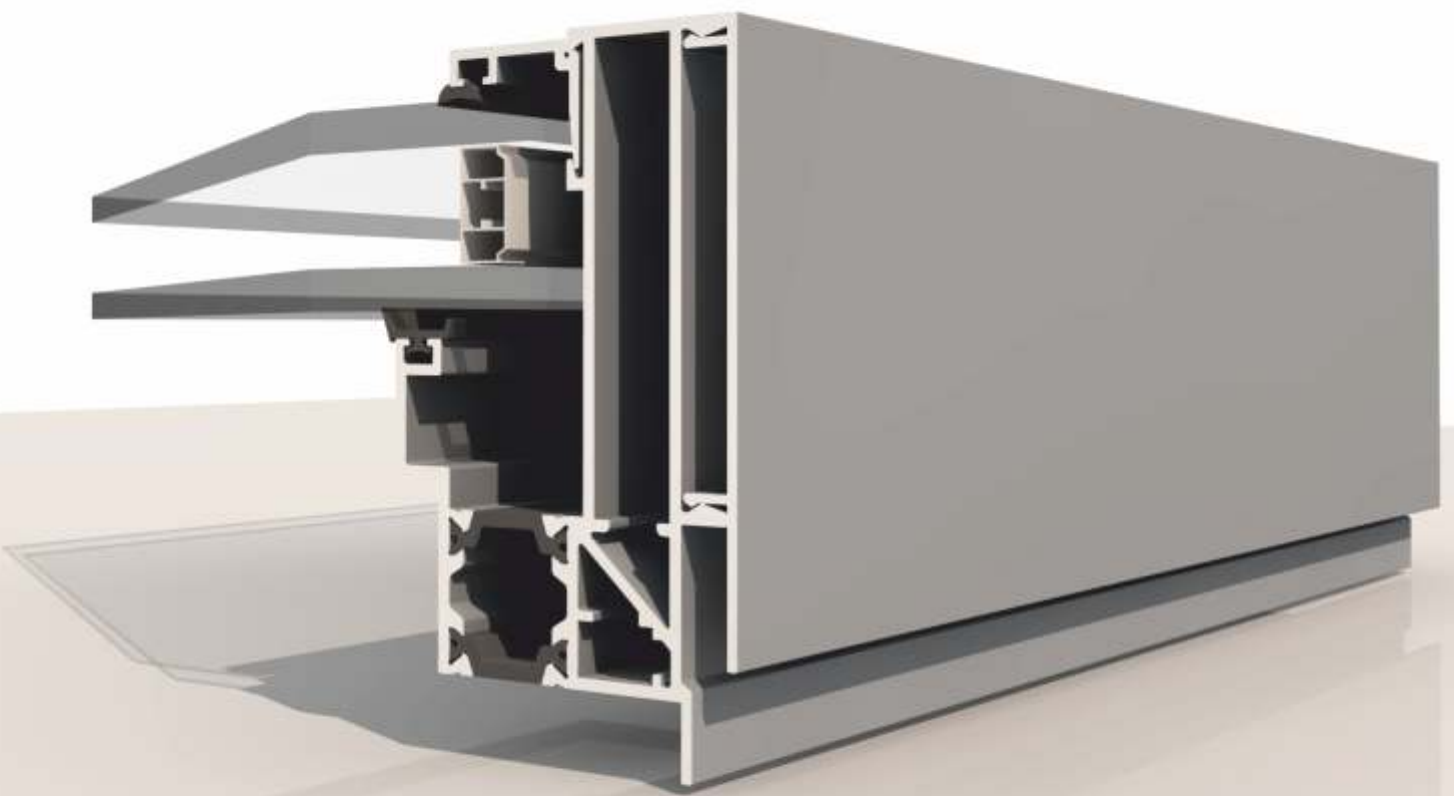


# Slim Flat Aluminium Roof

## Section Identification Guide



DURATION  
WINDOWS



# Contents



## **Profiles**

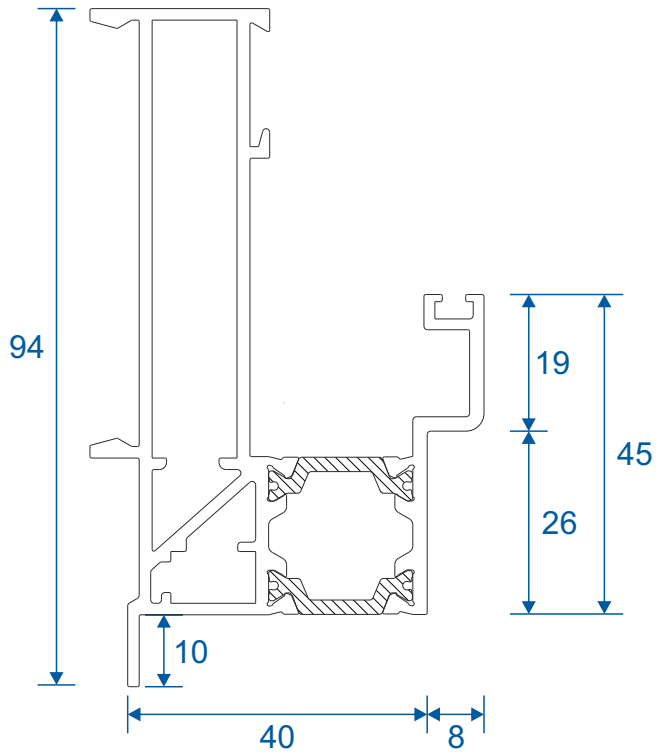
Main Frame & Transom	3
Cover Plate, Beads & Gaskets	4
Roof Vents	5

## **Section Drawings**

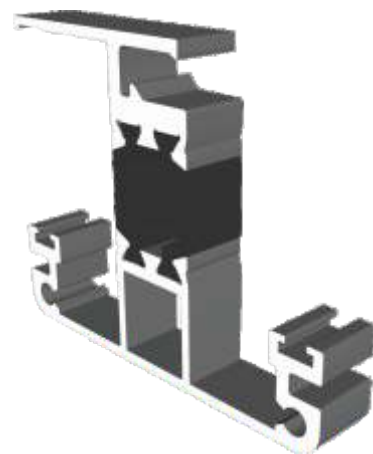
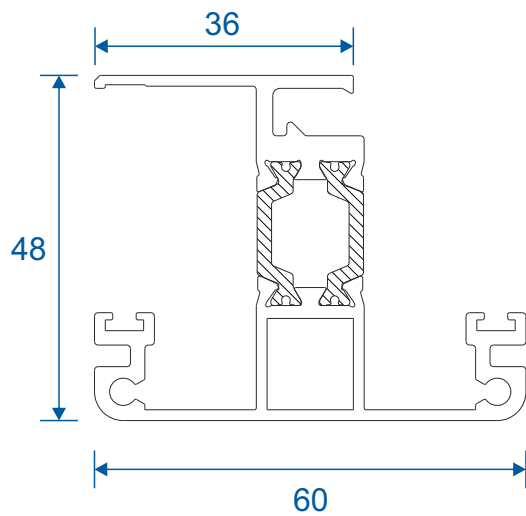
Main Frame & Transom	6
Roof Vents	7

# Main Frame & Transom

## ABD313-315 - Main Roof Frame

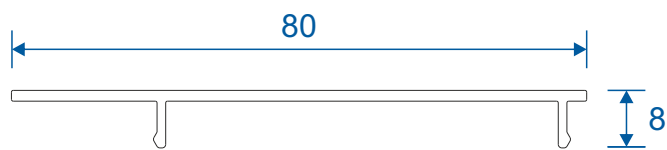


## ABD312 - Transom

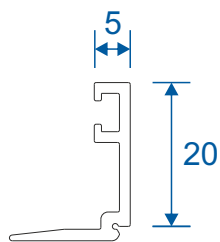


# Cover Plate, Beads & Gaskets

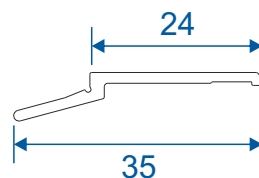
**ABD314 - Main Frame Cover Plate**



**ABD246 - Main Frame Bead**



**ABD244 - Transom Bead**



**ABD302 - Wedge Gasket**



**ABD303 - Retained Gasket**

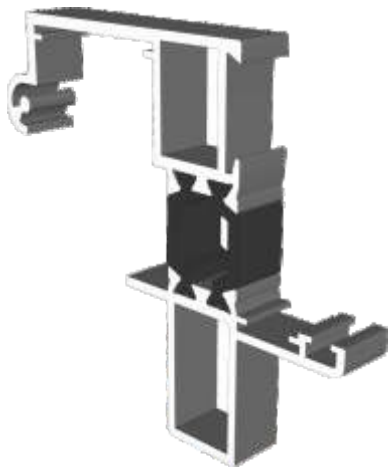
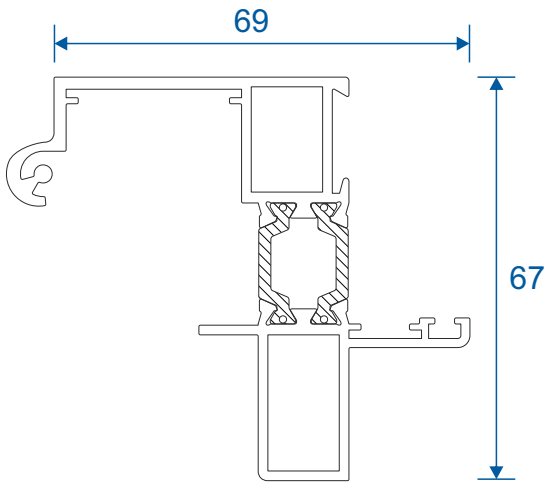


**ABD305 - Transom Wedge**

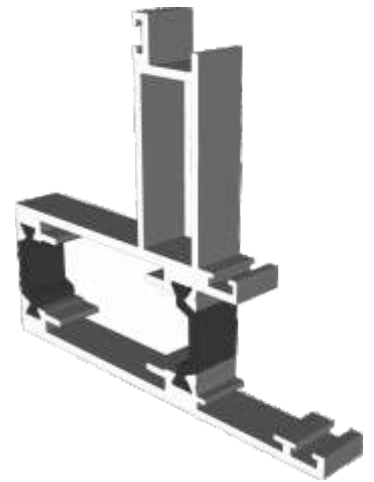
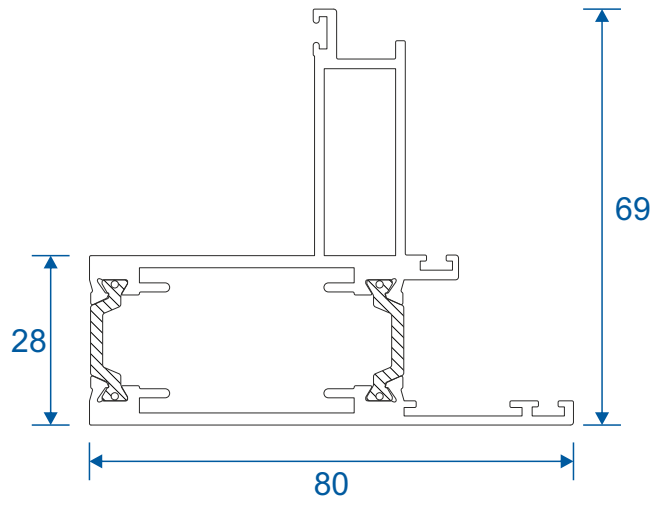


# Roof Vents

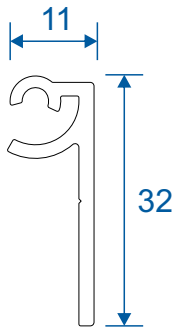
**ABD232-233 - Roof Vent Sash**



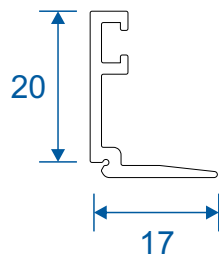
**ABD230-231 - Roof Vent Frame**



**ABD245 - Roof Vent Hinge**

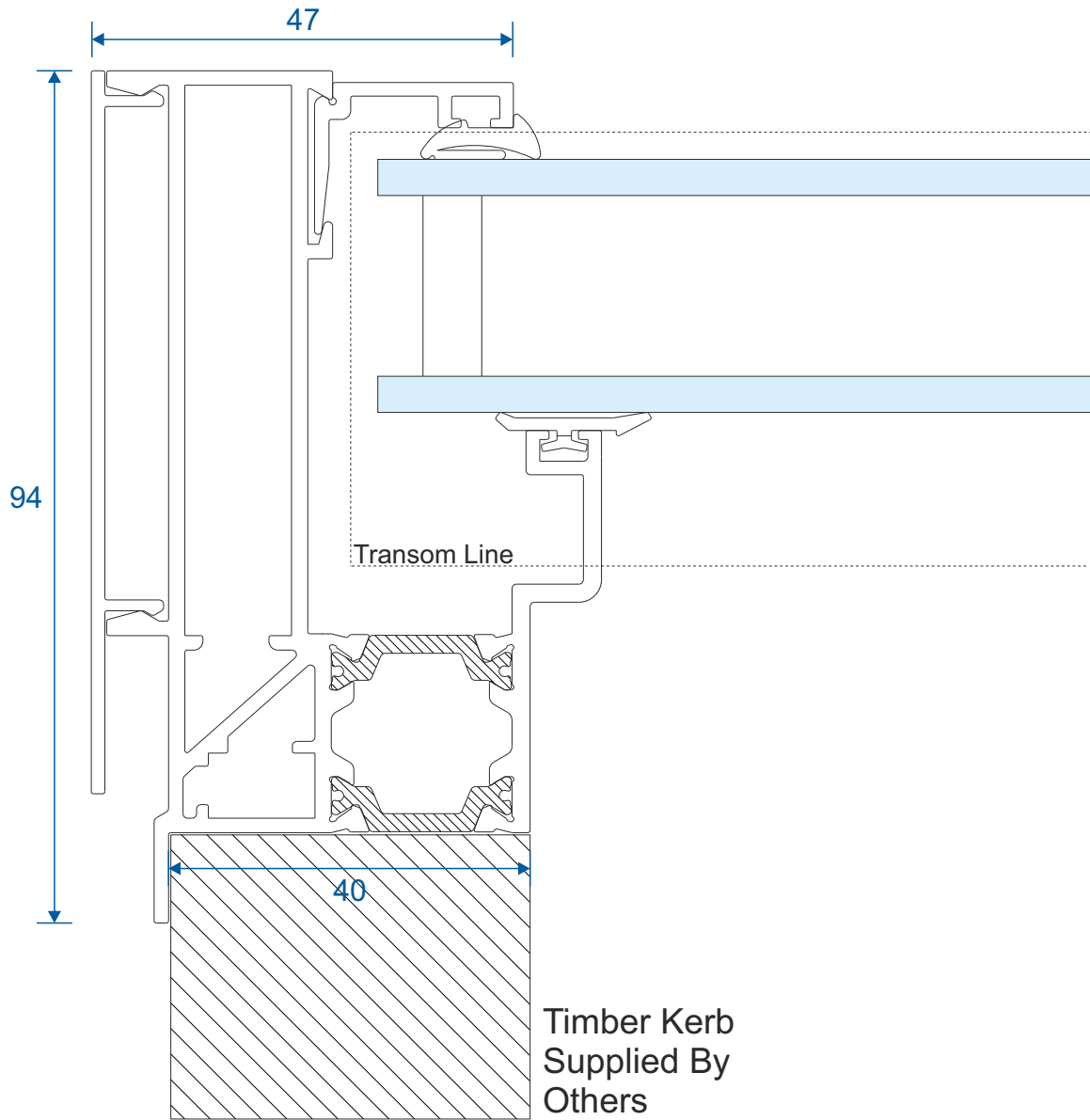


**ABD246 - Roof Vent Glazing Bead**

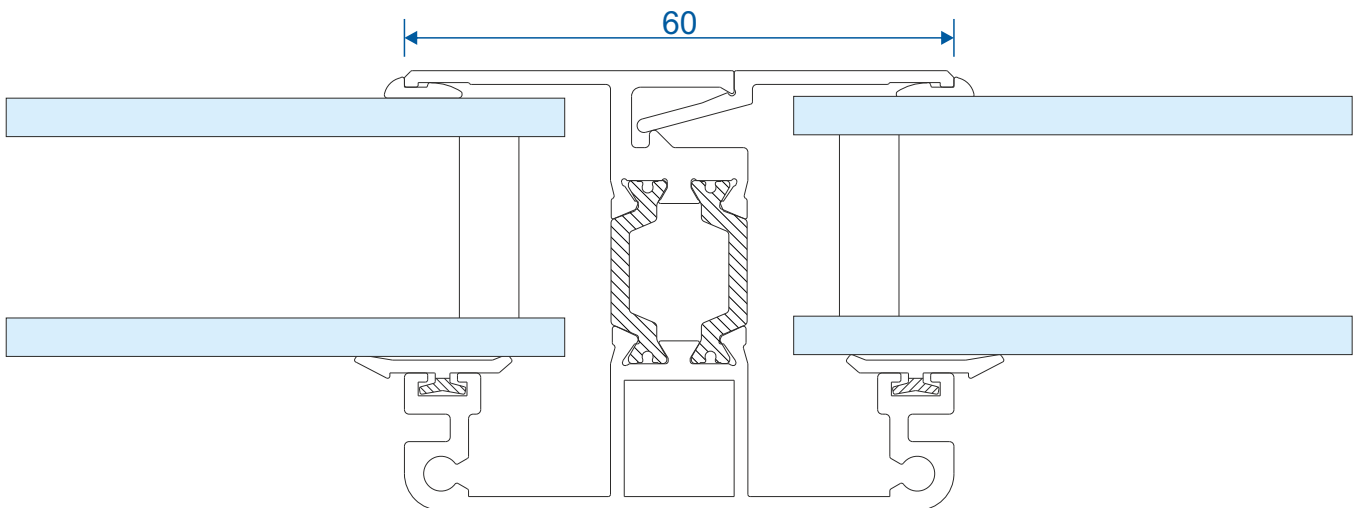


# Main Frame & Transom Section

## Main Frame

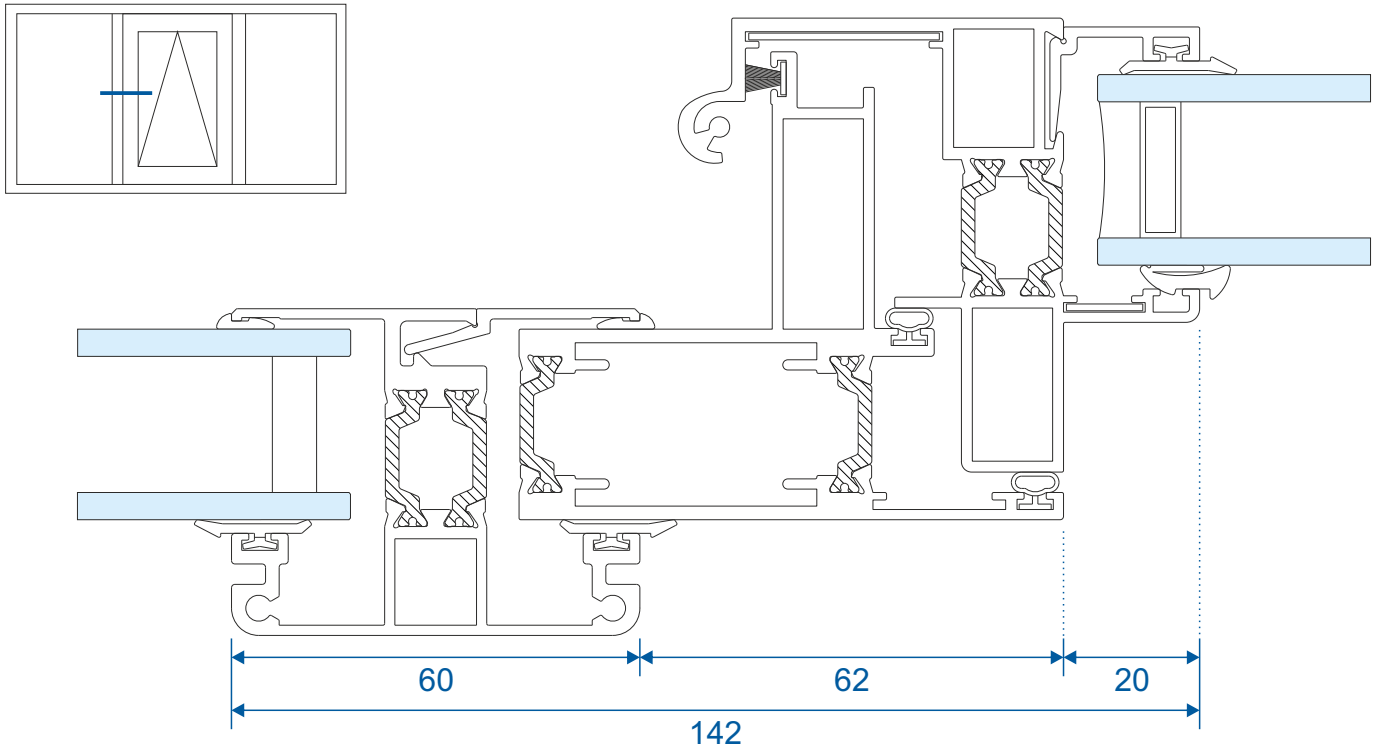


## Transom

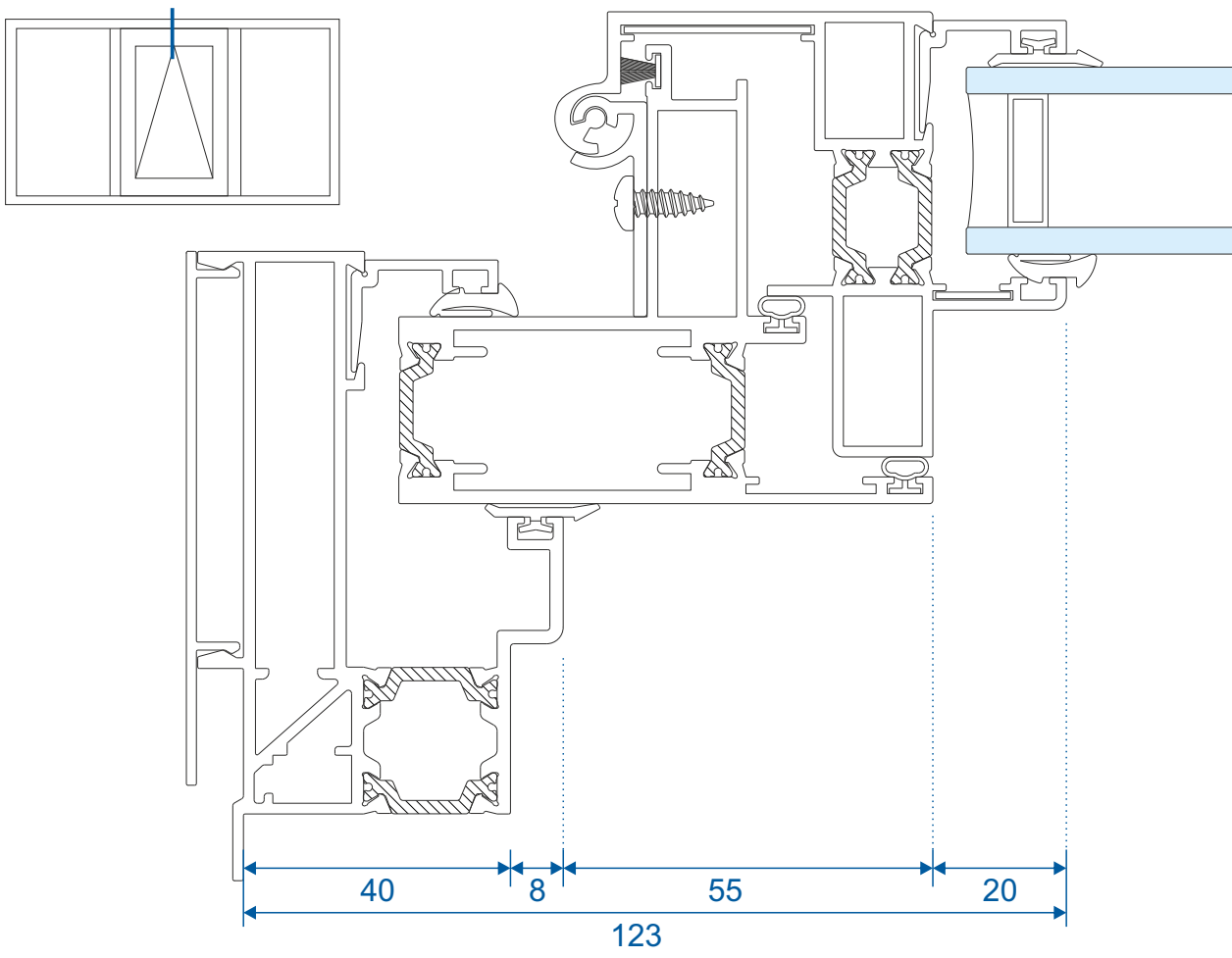


# Roof Vent Sections

## Opener To Transom



## Opener To Main Frame



Duration Windows  
Thames Development  
Charfleets Road  
Canvey Island  
Essex. SS8 0PQ

[sales@duration.co.uk](mailto:sales@duration.co.uk)  
[www.duration.co.uk](http://www.duration.co.uk)

**Head Office** 01268 681612  
**Showroom** 01268 695100